

DS-D41Q15CA-1PH

DS-D41Q15CA-1PH,indoor,1.5mm,320*160mm,3840hz

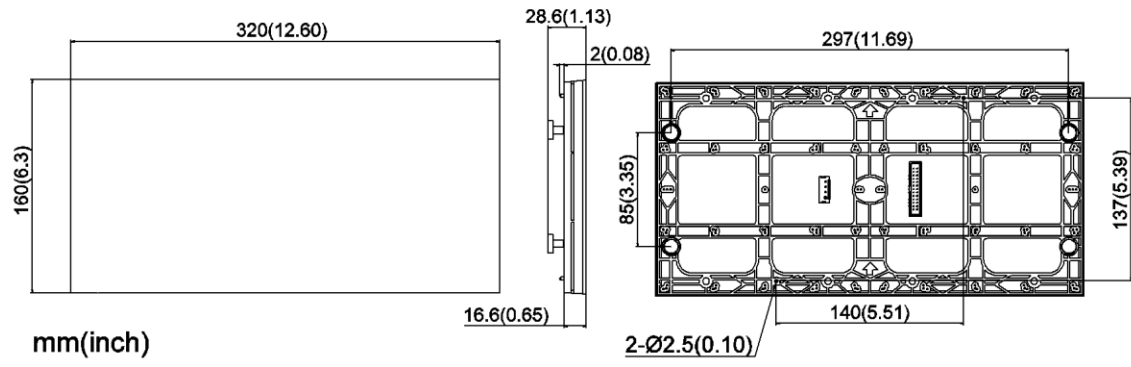


- Supports seamless image stitching in any direction, size and shape and displays stitched images uniformly and consistently without black lines
- Uses the ultra-high refresh rate to display delicate and smooth video images
- Uses the broadcast grayscale processing to show more image details
- High brightness and high contrast

▪ Specification

Product Model	
Product Model	DS-D41Q15CA-1PH
Module	
Pixel Configuration	SMD Triad LED
Pixel Pitch Category	P1.5
Pixel Pitch	1.538 mm
Lamp Bead Dimensions	1212
Dimensions (W × H × D)	320 mm × 160 mm × 17 mm
Resolution	208 × 104
Pixel Density	422500
Signal Source Interface	HUB75E
Display	
White Balance Brightness	600cd/m ²
Color Temperature	3000—10000K adjustable
Viewing Angle	160°(H)/160°(V)
Brightness Uniformity	≥97%
Color Uniformity	≤ ± 0.003Cx , Cy
Contrast Ratio	3000:1
Refresh Rate	3840 Hz
Processing Performance	
Scanning Amount	52
Grey Level	Up to 16 bit
Power	
Max. Consumption	≤ 600 W/m ²
Average Consumption	< 290 W/m ²
Input Voltage	DC : 4.5~5V
Working Environment	
Working Temperature	-10 °C to 40 °C (14 °F to 104 °F)
Working Humidity	10% to 80% RH (without condensation)
Storage Temperature	-20 °C to 60 °C (-4 °F to 140 °F)
Storage Humidity	10% to 85% RH (without condensation)
General	
Package Dimensions (W × H × D)	673 (W) mm × 248 (H) mm × 390 (D) mm ((20 cabinets in 1 box))
Packing List	Several high magnetic brackets Several LED lamp beads and IC components Several signal cables and power cables
Gross Weight	0.55 Kg
Net Weight	0.48 Kg
Weight	0.48 Kg

▪ Dimension



See Far, Go Further



www.hikvision.com
support@hikvision.com

