

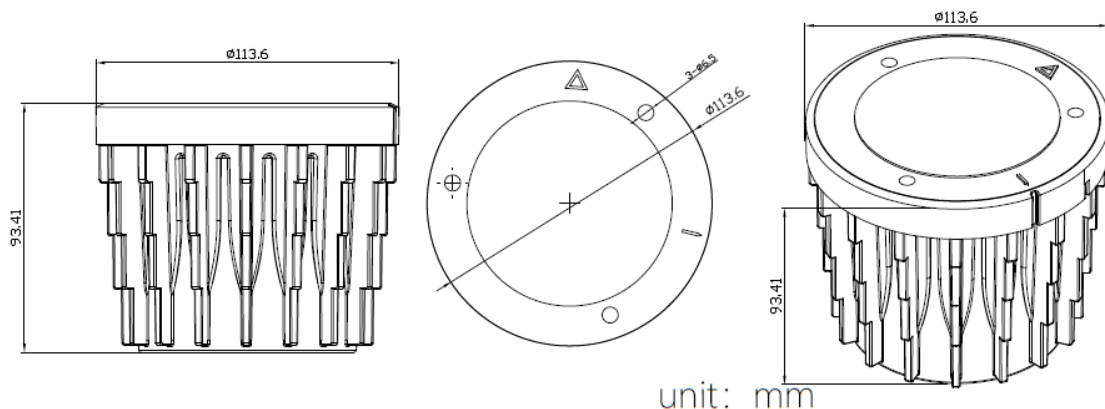
**DS-TDP110-L****LoRaWAN Geomagnetic Detector**

- Based on the micro-power geomagnetic induction vehicle detection technology (MP-AMR), combined with millimeter wave recognition technology, the recognition accuracy is improved.
- Integrated BT bluetooth communication technology, to realize the scene debugging and parameter configuration.
- Disposable lithium batteries work, long battery life.
- Compressive shell and can be used for indoor and outdoor parking information system (PIS) application.
- LoRaWAN wireless networks.
- LoRaWAN wireless data transmission, BT Bluetooth near field wireless parameter setting and firmware upgrade.
- Wide temperature range and geomagnetic work have waterproof function for indoor and outdoor applications.
- Easy to install and debug, self-learning function, avoid artificial initialization.
- Level of IP68 waterproof casing, internal and external bile design, easy to maintenance.
- Ultra-low power consumption, long working hours
- Wide coverage radius.
- Environmental factors automatic compensation algorithm, magnetic field self-calibration algorithm.
- The fault monitoring, battery monitoring, low battery alarm automatically.
- Anti-static, 12K arc discharge, 3K contact discharge.

## ▪ Specification

| Geomagnetic Parameters           |  |
|----------------------------------|--|
| Communication Mode               | LoRaWAN  |
| Heartbeat Interval               | 60 ~ 43200 s   |
| Detector ID                      | 16 BitID   |
| Receiving Sensitivity            | -129 dBm   |
| Max. Working Current             | 150 mA   |
| Sleeping Current                 | 30 uA  |
| Device Working Time              | 10 ms  |
| Max. Detection Distance          | 2 m  |
| RF Band                          | Standard 868MHz band, 915MHz band can be customized        |
| RF Interconnection Distance      | 150 m in open air (depending on RF power and environment)  |
| RF Transmission Rate             | 4800 bps   |
| RF Transmitting Power            | +23 dBm Max (depending on national policy)                 |
| General                          |  |
| Working Temperature and Humidity | -34 °C to +74 °C   |
| Working Voltage                  | 3.6 V  |
| Package Dimensions               | 155× 155× 105 mm (6.10 × 6.10 × 4.13 inch)                 |
| Dimensions                       | φ 114 mm × h 94 mm (φ 4.49 inch × h 3.70 inch)             |
| Weight                           | 0.565 kg (1.25 lb.)  |
| Installation Mode                | Built-in type , The upper surface is level with the ground |
| Storage Temperature and Humidity | -40 °C to +80 °C   |
| Lifespan                         | 5 years  |
| Material                         | Super Tough Nylon  |

## ▪ Dimension



# See Far, Go Further



[www.hikvision.com](http://www.hikvision.com)  
[support@hikvision.com](mailto:support@hikvision.com)

