

DS-D5022F2-1V2
21.5 inch FHD 100Hz VA Monitor



- VA technology, 178° ultra-wide view screen.
- 8 bit LVDS FHD (1920 × 1080) display.
- 100 Hz refresh rate, more fluid and life-like video
- Ultra-thin device body with ultra-thin border for 3 sides.
- 3D noise reduction.
- Low blue light design for eye care.
- Dual interface of HDMI and VGA.
- Support VESA wall mount.

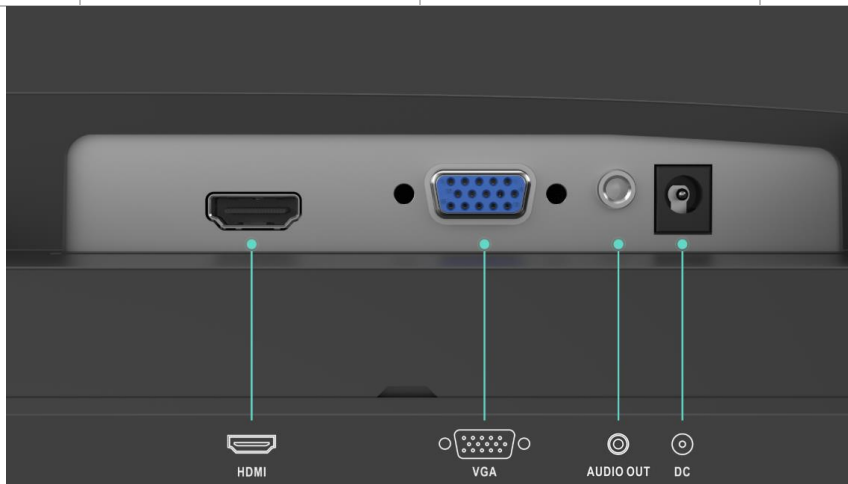
▪ Specification

Display	
Screen Size	21.5 inch, 54.48 cm
Active Display Area	478.65 mm (H) × 260.28 mm (V), 12.45 dm ²
Resolution	1920 × 1080
Backlight	E-LED
Pixel Pitch	0.241 (H) mm × 0.241 (V) mm
Brightness	250 cd/m ²
Viewing Angle	178° (H) / 178° (V)
Color Depth	8 bit, 16.7 M
Contrast Ratio	3000 : 1
Response Time	8 ms
Refresh Rate	100 Hz
Haze	Haze 25%, 3H
Reliability	7 × 24 H
Color Gamut	72% NTSC
Interface	
Video & Audio Input	HDMI 1.4 × 1, VGA × 1
Video & Audio Output	Audio Out × 1
Data Transmission Interface	None
Control Interface	None
Working Environment	
Working Temperature	0°C to 40°C (32°F to 104°F)
Working Humidity	20% to 90% RH (Non-Condensing)
Storage Temperature	-20°C to 60°C (-4°F to 140°F)
Storage Humidity	10% to 90% RH (Non-Condensing)
General	
Power Supply	DC 12V, 2A
Power Consumption	≤ 24 W
Network Standby Power Consumption	≤ 0.5 W
Casing Material	Plastic
Standby Time	600s
VESA	75 mm × 75 mm (4 - M4 × 6 mm)
Bezel Width	2.38 mm (top/left/right), 21.55 mm (bottom)
Product Dimensions (W × H × D)	With base: 493.26 (W) mm × 393.45 (H) mm × 185.74 (D) mm (19.42 (W) × 15.49 (H) × 7.31 (D)) inch Without base: 493.26 (W) mm × 290.13 (H) mm × 42.35 (D) mm (19.42 (W) × 11.42 (H) × 1.67 (D)) inch
Package Dimensions (W × H × D)	553 (W) mm × 354 (H) mm × 111 (D) mm
Net Weight	2.0 ± 0.5 kg (4.4 ± 1.1 lb)
Gross Weight	3.2 ± 0.5 kg (7.1 ± 1.1 lb)
Packing List	Monitor × 1, Base component × 1, Power adapter (12 V, 2 A) × 1, HDMI cable (1.5 m) × 1, User manual × 1, Multilingual manual × 1

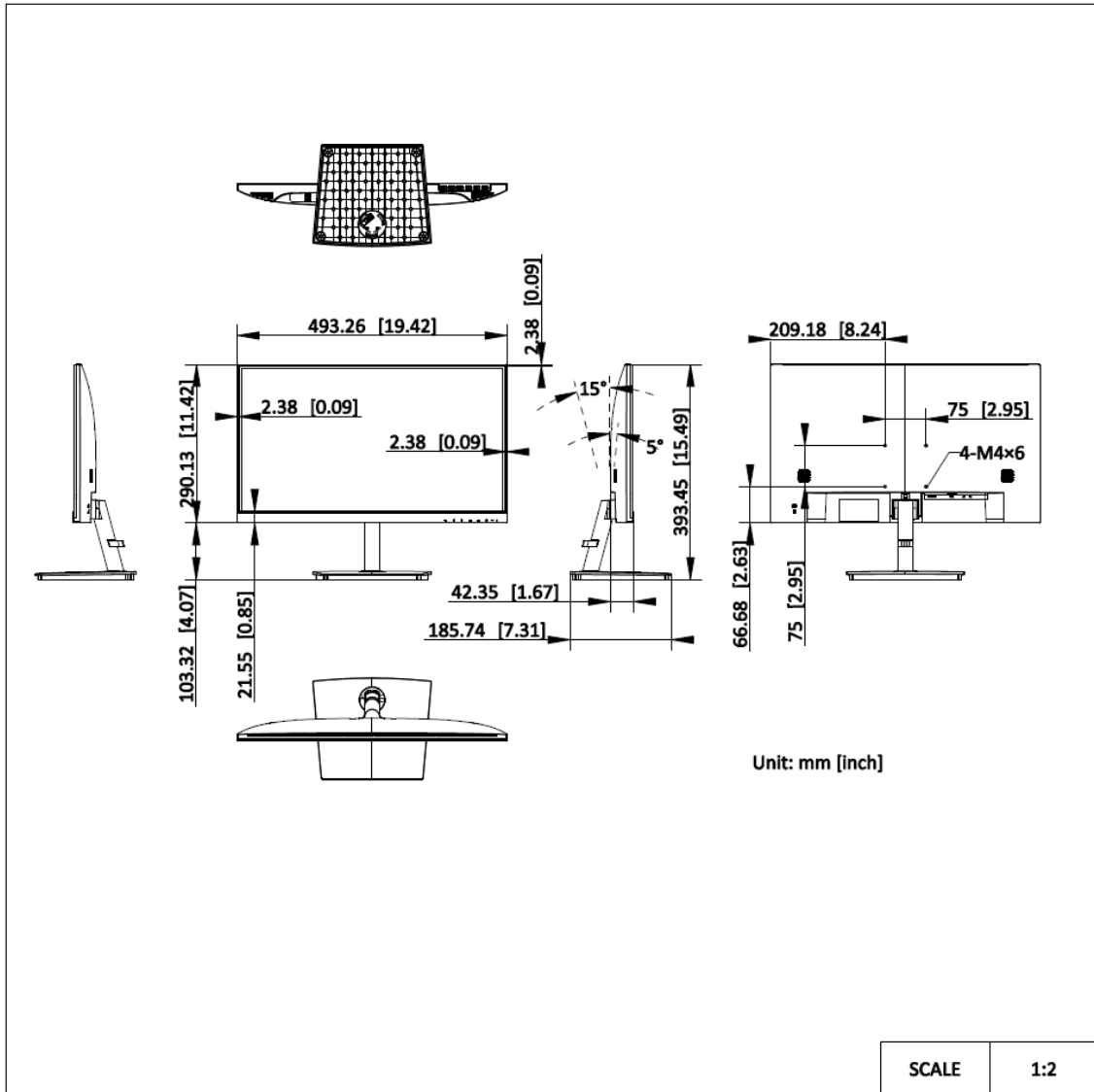
Remarks	<p>The base is included by default.</p> <p>The product appearance and parameters in this specification may vary from your actual device. Please consult our local sales staff for further information</p>
---------	---

▪ **Physical Interface**



Interface	Description	Interface	Description
HDMI	HDMI 1.4 digital signal input interface	VGA	VGA analog signal input interface
Audio Out	3.5mm audio output interface	DC	DC 12V 2.0A input interface



▪ **Dimension**



- Accessory
- Optional

DP-D501940-1X1-Q	DS-DM1940W
1-NW-Q0.1-TY/V20	DS-DM1940W
0	
	

See Far, Go Further



www.hikvision.com
support@hikvision.com

