

DS-K1T343EFWX-B Value Series Face Access Terminal



Face recognition terminal adopts deep learning algorithm, which helps to recognize the face faster with higher accuracy. It also supports multiple authentication modes: face/card/fingerprint authentication, etc. It can be applied in multiple scenarios, such as buildings, enterprises, financial industries, and other important areas.

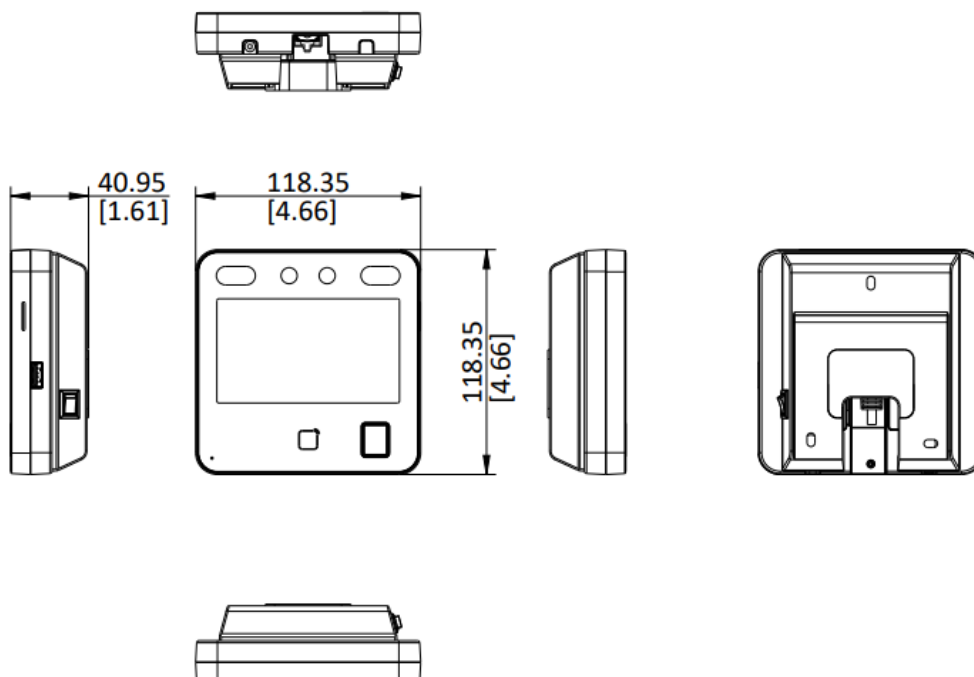
- Max.1500 faces capacity, Max.3000 fingerprints capacity, and Max.3000 cards
- Face Recognition Terminal, 4.3-inch LCD touch screen, 2 Mega pixel wide-angle lens, Built-in EM card reading module
- Two-way audio with client software, indoor station, and main station; Supports TCP/IP, Wi-Fi
- Supports ISAPI, ISUP5.0
- Configuration via the web client
- Face recognition. Distance: 0.3 m to 1.5 m
- Duration < 0.2 s/User
- Accuracy rate ≥ 99%
- Supports power supply by battery in the bracket
- Supports access control local time and attendance function
- Supports face duplicate check, preventing multiple people from using the same face
- Supports attendance-only function
- Supports the following SIP servers: ASTERISK, 3CX, ELASTIX, miniSipServer, Brekeke, OpenSIPs, Kamailio
- Supports Push SDK

▪ Specification

System	
Operating system	Linux
ROM	4 GB
RAM	DDR3:512 M
CPU	800 MHz
Display	
Screen size	4.3 inch
Operation method	Capacitive touch screen
Type	LCD
Resolution	480 × 272
Video	
Lens	2
Resolution	2 MP
Wide Dynamic Range (WDR)	Support
Video standard	PAL (Default) and NTSC
Focal length	4 mm
Aperture	F 2.0
HOV	HFOV : 75.5° ; VFOV : 41.5° ; DFOV : 87°
Audio	
Audio compression standard	G.711U
Audio compression bitrate	64 Kbps
Audio input	Built-in omnidirectional microphone
Audio output	Built-in loudspeaker
Audio quality	Noise suppression and echo cancellation
Volume adjustment	Adjust via device or client
Power output	1 W
Network	
Network protocol	SDK, SIP, RTSP, ISAPI, ISUP5.0
Wired network	Support
Wi-Fi	Support, 2.4 G, 802.11b/g/n
Interface	
Network interface	1 RJ-45, 10/100 M self-adaptive
Lock control	1
Exit button	1
Door contact input	1
TAMPER	1
RS-485	1 RS-485 (Half duplex, HIKVISION)
Wiegand	1 Wiegand (W26, W34)
USB	1
Capacity	
Face capacity	1,500
Fingerprint capacity	3,000
Card capacity	3,000
Event capacity	150,000

Authentication	
Face recognition distance	0.3 to 1.5 m
Face recognition accuracy rate	> 99%
Face recognition duration	< 0.2 s
Fingerprint recognition duration	< 1 s
Card type	EM card
Card reading frequency	125 KHz
Card reading distance	0 to 5 cm (Normal Card); 0 to 3 cm (Card with Different Shapes)
Card reading duration	< 1 s
General	
Supplement light	IR light
Power supply	12 VDC, 1 A (power adapter included) Supports power supply by battery in the bracket
Working temperature	-10 °C to 40 °C (14 °F to 104 °F)
Working humidity	0 to 90% (No condensing)
Dimensions	118.4 mm × 118.4 mm × 21.8 mm (4.66" × 4.66" × 0.86")
Installation	Wall mounting, base mounting
Weight	Gross weight: 0.71 kg (1.57 lb) Net weight: 0.23 kg (0.51 lb)
Application environment	Indoor
Language	English, Spanish (South America), Arabic, Thai, Indonesian, Russian, Vietnamese, Brazilian Portuguese, Japanese, Korean, Chinese Traditional, French, Turkish, Kazakh and Uzbek.
Platform	Hik-ProConnect and HikCentral Professional
Function	
Live view	Support
Two-way audio	Support
Multi-factor authentication	Support
Face anti-spoofing	Support
First person in	Support
Audio prompt	Support
Time synchronization	Support

▪ Dimension



Unit: mm [inch]

SCALE	1:1
-------	-----

See Far, Go Further



www.hikvision.com
support@hikvision.com

