

**DS-4611ZJ-GSAC  
Pendant Mount**

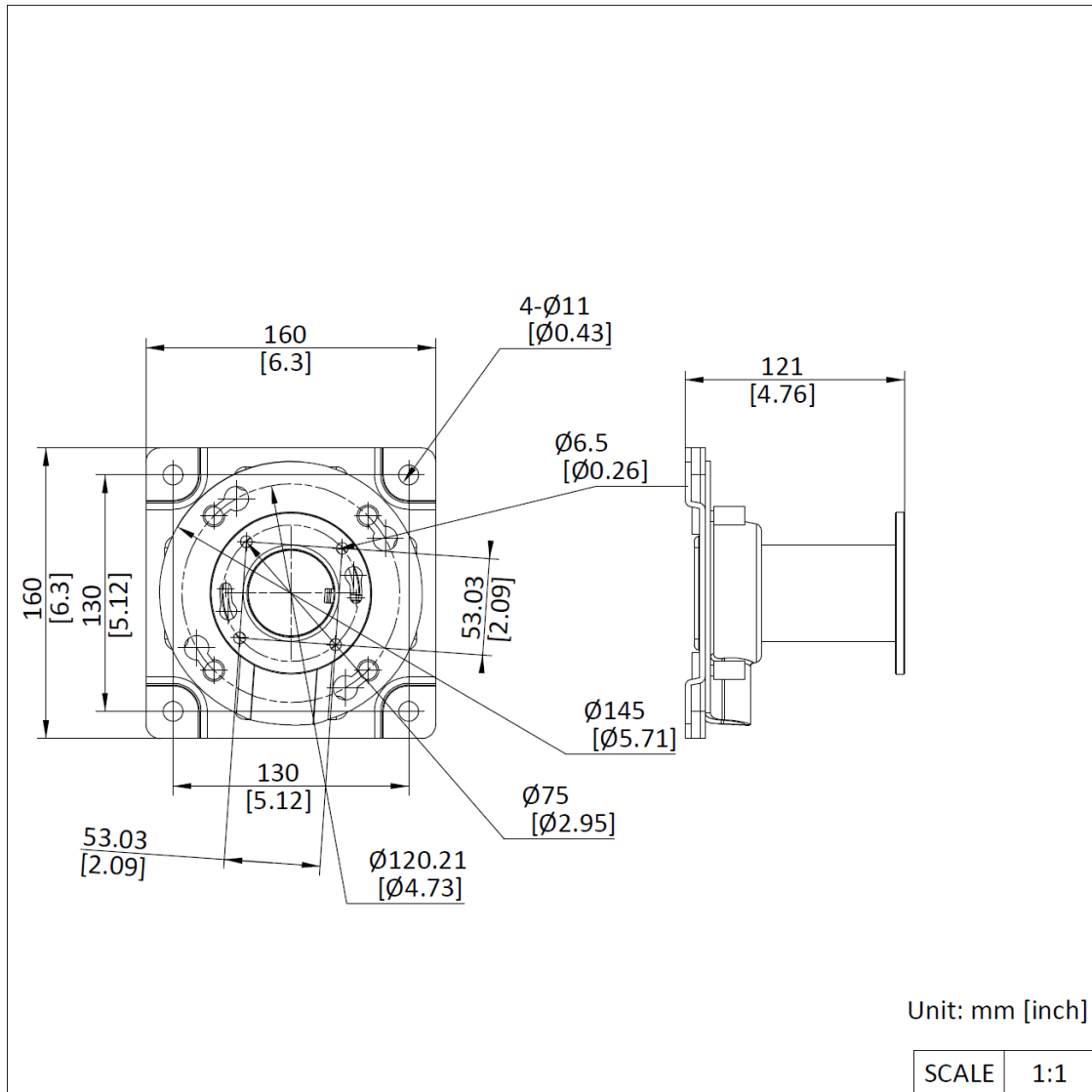


- Wall mount bracket

▪ Specification

Parameters	
Weight	Approx. 1628 g (3.59 lb.)
Appearance	Silver moon gray
Material	Stainless steel
Dimension	160 mm × 160 mm × 121 mm (6.30" × 6.30" × 4.76")

▪ Dimension



▪ Accessory



DS-2DT8C442MXG-ELWT



DS-2DT8C842MXG-ELWT

# See Far, Go Further



[www.hikvision.com](http://www.hikvision.com)  
[support@hikvision.com](mailto:support@hikvision.com)

