

DS-2DF8432IWG-CXF(316L)**316L 4MP 32x Explosion-proof Network Speed Dome**

- High quality imaging with 4 MP resolution
- Ex-mark: ATEX: Ex II 2GD Ex db IICT6 Gb /Ex tb IIIC T80°C Db; IECEx: Ex db IICT6 Gb /Ex tb IIIC T80°C Db
- Min. illumination : Color:0.005Lux @(F1.6, AGC ON) B/W: 0.001 Lux @(F1.6, AGC ON);0 Lux with IR
- 32× optical zoom, focal length 4.8 mm to 153.6 mm
- Efficient H.265+/H.265 compression technology
- Water and dust resistant (IP68(2m/2h))
- 3D DNR and low bitrate technology delivers clean and sharp images
- Clear imaging against strong back light due to 120 dB true WDR technology
- Expansive night view with up to 100 m IR distance with low power consumption

▪ Specification

Camera	
Image Sensor	1/2.8" progressive scan CMOS
Min. Illumination	Color: 0.005 Lux @ (F1.6, AGC ON) B/W: 0.001 Lux @ (F1.6, AGC ON)
Shutter Speed	1/1 s to 1/30,000 s
Slow Shutter	yes
Day & Night	IR Cut Filter
Zoom	16 × digital, 32 × optical
Max. Resolution	2560 × 1440
Lens	
Focus	semi-auto, manual, auto
Focal Length	4.8 mm to 153.6 mm, 32 × optical zoom
Zoom Speed	Approx. 7 s (Optical Lens, Wide-Tele)
FOV	Horizontal field of view: 53.3° to 2.6° (wide-tele) Vertical field of view: 30.6° to 1.5° (wide-tele) Diagonal field of view: 60.5° to 3° (wide-tele)
Aperture	F1.6
Illuminator	
Supplement Light Type	IR
Supplement Light Range	IR distance: up to 100 m
PTZ	
Movement Range (Pan)	360° endless
Movement Range (Tilt)	From 0° to 90° (Auto Flip)
Pan Speed	Configurable, from 0.1°/s to 70°/s, preset speed: 70°/s
Tilt Speed	Configurable, from 0.1°/s to 50°/s, Preset Speed: 50°/s
Proportional Pan	yes
Presets	300
Patrol Scan	8 patrols, up to 32 presets for each patrol
Pattern Scan	4 pattern scans, record time over 10 minutes for each scan
Power-off Memory	yes
Park Action	Preset/Pattern Scan/Patrol Scan/Auto Scan/Tilt Scan/Random Scan/Frame Scan/Panorama Scan
3D Positioning	yes
PTZ Status Display	yes
Preset Freezing	yes
Scheduled Task	dome reboot, preset, random scan, patrol scan, dome adjust, pattern scan, tilt scan, panorama scan, frame scan, aux output, auto scan
Video	
Main Stream	50 Hz: 25 fps (2560 × 1440, 1920 × 1080, 1280 × 960, 1280 × 720) 60 Hz: 30 fps (2560 × 1440, 1920 × 1080, 1280 × 960, 1280 × 720)
Sub-Stream	50 Hz: 25 fps (704 × 576, 640 × 480, 352 × 288) 60 Hz: 30 fps (704 × 480, 640 × 480, 352 × 240)
Third Stream	50 Hz: 25 fps (1920 × 1080, 1280 × 960, 1280 × 720, 704 × 576, 640 × 480, 352 × 288) 60 Hz: 30 fps (1920 × 1080, 1280 × 960, 1280 × 720, 704 × 480, 640 × 480, 352 × 240)
Video Bit Rate	32 kbps to 16384 kbps

H.264 Type	main profile,baseline profile,high profile
H.265 Type	main profile
Scalable Video Coding (SVC)	yes
Region of Interest (ROI)	yes
Target Cropping	no
Audio	
Audio Compression	G.711,G.722.1,G.726,MP2L2,PCM,MP3
Audio Bit Rate	16 Kbps (G.722.1),64 Kbps (G.711),32 to 192 Kbps (MP2L2),16 Kbps (G.726),8 to 48 Kbps (PCM),8 to 320 Kbps (MP3)
Audio Sampling Rate	8 kHz,16 kHz,32 kHz,44.1 kHz,48 kHz
Environment Noise Filtering	yes
Network	
Web Browser	IE10 to 11, Chrome 57+, Firefox 52+, Safari 12+
Network Storage	NAS (NFS, SMB/ CIFS),ANR
Protocols	IPv4/IPv6,PPPoE,UPnP,DHCP,RTP,RTSP,IGMP,ICMP,TCP/IP,FTP,Bonjour,SSL/TLS,HTTP,DNS,NTP,HTTPS,DNS,WebSocket,WebSockets,UDP,SNMP,QoS,802.1X
API	ONVIF (Profile S, Profile G, Profile T),ISAPI,SDK,ISUP
Simultaneous Live View	Up to 20 channels
User/Host	Up to 32 users. 3 levels: Administrator, Operator and User
Security	User authentication (ID and PW), Host authentication (MAC address);HTTPS encryption; IEEE 802.1x port-based network access control; IP address filtering
Client	iVMS-4200, iVMS-4500, iVMS-5200, Hik-Connect
Image	
Day/Night Switch	auto
Image Enhancement	BLC,HLC,3D DNR
Wide Dynamic Range (WDR)	120 dB
Defog	yes
Image Stabilization	EIS
Regional Exposure	yes
Regional Focus	yes
Image Settings	sharpness,saturation,brightness,contrast
Image Parameters Switch	yes
Privacy Mask	up to 24 masks
SNR	> 52dB
Interface	
On-board Storage	support microSD/microSDHC/microSDXC cards, up to 256 GB
RS-485	HIKVISION, Pelco-P, Pelco-D, self-adaptive
Fiber Optical	FC interface, built-in fiber module (100 M, TX1310/RX1550nm wavelength, single module fiber, up to 20 km transmission distance)
Ethernet Interface	RJ45, self-adaptive 10M/100M Ethernet port
Alarm	2 input(s), 1 output(s)
Audio	1 input (line in), max. input amplitude: 2-2.4 vpp, input impedance: 1 K Ω \pm 10%, 1 output (line out), line level, output impedance: 600 Ω
Event	
Basic Event	alarm input,video tampering alarm,exception,motion detection,alarm output

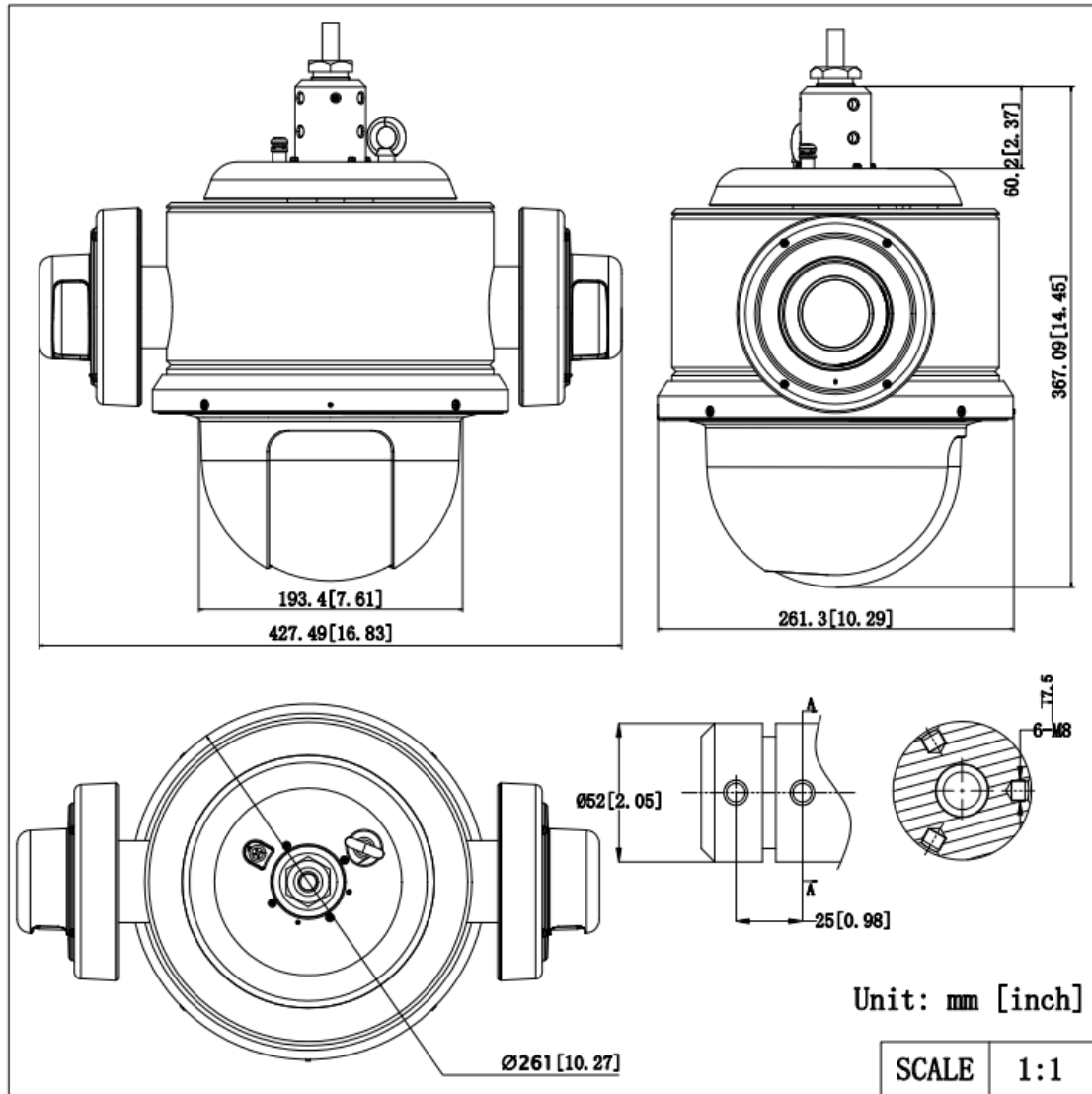
Smart Event	intrusion detection, line crossing detection, region entrance detection, region exiting detection, unattended baggage detection, object removal detection, audio exception detection
Linkage	Alarm actions, such as Preset, Patrol Scan, Pattern Scan, Memory Card Video Record, Trigger Recording, Notify Surveillance Center, Upload to FTP/Memory Card/NAS, Send Email, etc.
Smart Tracking	manual tracking,event tracking
Deep Learning Function	
Face Capture	Supports detecting, tracking, capturing, grading, selecting of face in motion, and outputs the best face picture
General	
Dimension	427.5 mm × 261 mm × 367.1 mm (16.83" × 10.28" × 14.45")
Material	SUS316L stainless steel with anti-corrosion surface spray treatment
Cable Length	1.8 m (5.9 ft.)
General Function	mirror,password protection,watermark,IP address filter
Power	100 VAC to 240 VAC, Max.: 60 W
Operating Condition	Temperature: -40°C to 60°C (-40°F to 140°F) , Humidity: ≤ 95%
Wiper	no
Weight	Approx. 16.5 kg (36.38 lb.)
Approval	
EMC	CE-EMC (EN 55032:2015, EN 61000-3-2:2019, EN 61000-3-3: 2013 + A1: 2019, EN 50130-4:2011 + A1: 2014),RCM (AS/NZS CISPR 32: 2015),IC (ICES-003: Issue 7),KC (KN 32: 2015, KN 35: 2015)
Safety	CB (IEC 62368-1: 2014 + A11),CE-LVD (EN 62368-1: 2014/A11: 2017)
Protection	IP68(2m/2h) (IEC 60529-2013),TVS 6000 V lightning protection, surge protection and voltage transient protection,IK10 (IEC 62262:2002)
Explosion-Proof Protection	ATEX: II 2 G D Ex db IIC T6 Gb/Ex tb IIIC T80°C Db IP68, IECEx: Ex db IIC T6 Gb/Ex tb IIIC T80°C Db IP68,For explosive gas atmospheres, the maximum surface temperature is 85°C; For flammable dust atmospheres, the maximum surface temperature is 80°C; IIC: for explosive gas atmospheres other than mines susceptible to firedamp; For explosive gas mixture atmospheres: Zone 1, Zone 2, Zone 21, Zone 22.
Anti-Corrosion Protection	NEMA 4X (NEMA 250-2018)

▪ DORI

The DORI (detect, observe, recognize, identify) distance gives the general idea of the camera ability to distinguish persons or objects within its field of view. It is calculated based on the camera sensor specification and the criteria given by EN 62676-4: 2015.

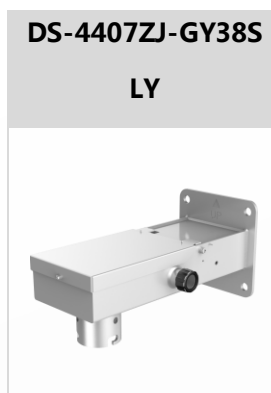
DORI	Detect	Observe	Recognize	Identify
Definition	25 px/m	63 px/m	125 px/m	250 px/m
Distance (Tele)	1855.2m(6085.06 ft)	736.2m(2414.74 ft)	371m(1216.88 ft)	185.5m(608.44 ft)

▪ Dimension



▪ Accessory

▪ Included



▪ Optional

DS-2XE2601-1-Y(SS)	DS-2XE2707CB-M1	DS-2XE2705-M04(3	DS-4417ZJ-GY38SL	DS-1751ZJ-AC(OS)
)	2(316L)	16L)	Y	



See Far, Go Further



www.hikvision.com
support@hikvision.com

