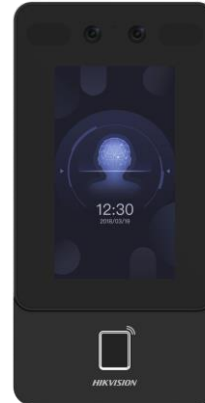


DS-K1T342MFWX-E1 Face Recognition Terminal



Face recognition terminal adopts deep learning algorithm, which helps to recognize the face faster with higher accuracy. It also supports multiple authentication modes: face/card/fingerprint authentication, etc. It can be applied in multiple scenarios, such as buildings, enterprises, financial industries, and other important areas.

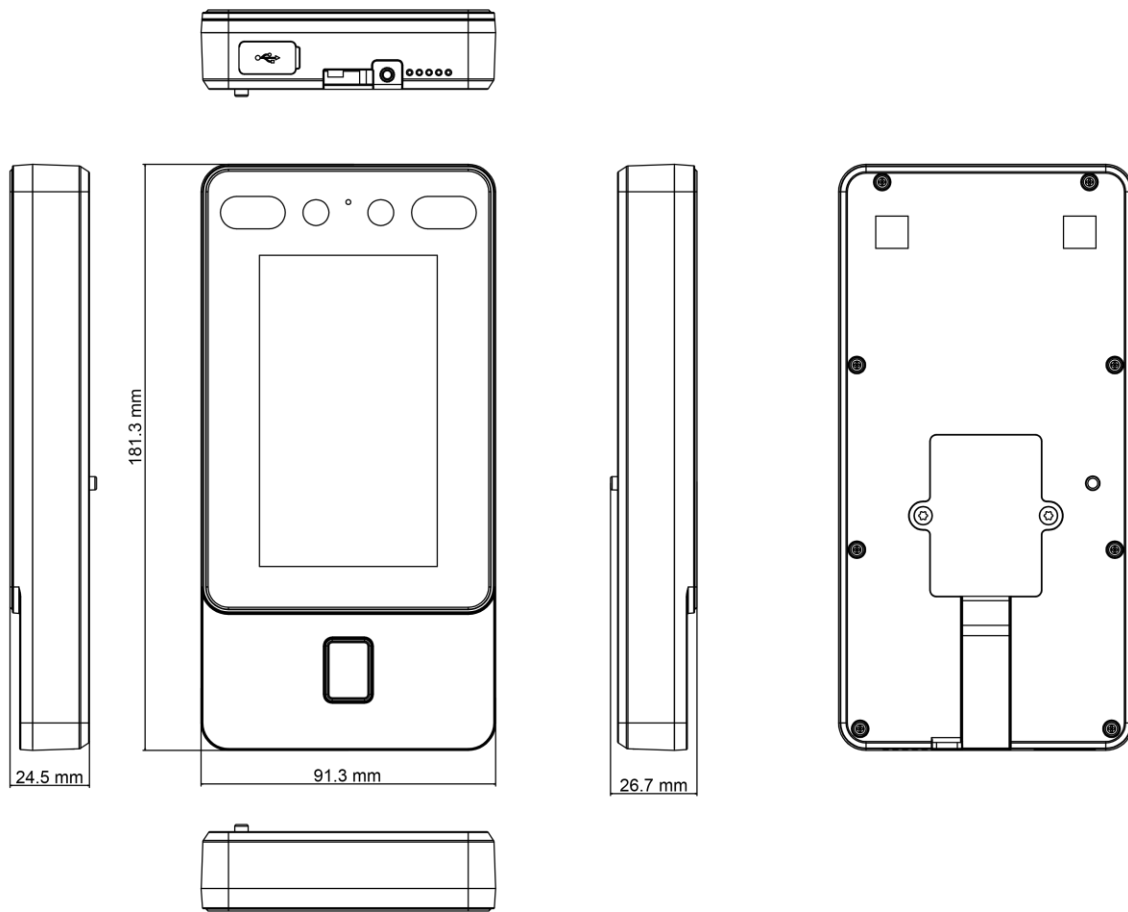
- Max.1500 faces capacity, Max.3000 fingerprints capacity, and Max.3000 cards
- Face Recognition Terminal, 4.3-inch LCD touch screen, 2 Mega pixel wide-angle lens, built-in M1card reading module
- Two-way audio with client software, indoor station, and main station; Supports TCP/IP, Wi-Fi
- Supports ISAPI, ISUP5.0
- Configuration via the web client
- Face Recognition Distance: 0.3 m to 1.5 m; Duration < 0.2 s/User; Accuracy rate ≥ 99%
- Supports face with mask recognition
- Powers supply by standard PoE and at the same time powers supply for door lock (12 VDC/1 A)
- Supports platform-applied personal PIN and device-set personal PIN
- Supports Push SDK.
- Supports the following SIP servers: ASTERISK, 3CX, ELASTIX, miniSipServer, Brekeke, OpenSIPs, Kamailio.
- Supports face duplicate check, preventing multiple people from using the same face.
- Supports attendance-only function.

▪ Specification

System	
CPU	900 MHz
Memory	DDR3:512 M
Flash	4 GB
Operation system	Linux
Display	
Dimensions	4.3-inch
Resolution	272 × 480
Type	LCD
Operation method	Capacitive touch screen
Lumens	250cd
Video	
Pixel	2 MP
Lens	× 2
Focal length	4 mm
WDR	Support
Aperture	F2.0
HOV	HFOV : 75.5° ; VFOV : 41.5° ; DFOV : 87°
Video standard	PAL (Default) and NTSC
Audio	
Audio input	Built-in omnidirectional microphone
Audio output	Built-in loudspeaker
Volume adjustment	Adjust via device or client
Power output	8 Ω, 1.5 W
Audio compression standard	G.711U
Audio compression bitrate	64 Kbps
Tone quality	Noise suppression and echo cancellation
Network	
Wired network	10 M/100 M self-adaptive
Wi-Fi	Support
Communication protocol	ISAPI, ISUP5.0
Interface	
PoE	IEEE802.3at, standard PoE
Network interface	1
RS-485	1
Wiegand	1
Lock output	1
Exit button	1
Door contact input	1
TAMPER	1
USB	1
Capacity	
User capacity	1500
Card capacity	3,000

Face capacity	1,500
Fingerprint capacity	3,000
Event capacity	150,000
Authentication	
Card type	M1 card
Card reading frequency	13.56 MHz
Card reading distance	0 to 5 cm (Normal Card); 0 to 3 cm (Card with Different Shapes)
Card reading duration	< 1 s
Face recognition duration	< 0.2 s
Face recognition accuracy rate	> 99%
Face recognition distance	0.3 to 1.5 m
Fingerprint recognition duration	< 1 s
General	
button	Touch Screen
Supplement light	IR light
Power supply	Power input: Power interface (power adapter included, 12 VDC/1 A) or PoE (37 to 57 VDC/0.6 A) Power output: Power supply for door lock, 12 VDC/1 A (only when the device is powered by PoE supporting powering supply for door lock)
Working temperature	-30 °C to 60 °C (-22 °F to 140 °F)
Working humidity	0 to 90% (No condensing)
Dimensions	91.3 mm × 181.3 mm × 24.5 mm (3.59" × 7.14" × 0.96")
Installation	Wall Mounting
Protective level	IP65
Weight	Gross weight: 0.93 kg (2.05 lbs) Net weight: 0.36 kg (0.79 lbs)
Language	English, Spanish (South America), Arabic, Thai, Indonesian, Russian, Vietnamese, Brazilian Portuguese, Japanese, Korean, Chinese Traditional, French, Turkish, Kazakh and Uzbek.
Platform	Hik-ProConnect and HikCentral Professional
Function	
QR code recognition	Support QR code 2.0
Multiple faces detection	Not support
Face anti-spoofing	Support
Live view	Support
Two-way audio	Support
Advertisement	Not support
Audio prompt	Support
M1 card encryption	Support
Anti-passback	Not support
First person in	Support
Multi-factor authentication	Support
Time synchronization	Support

▪ **Dimension**



▪ **Accessory**

▪ **Optional**

DS-KAB6-ZU3	DS-KAB671-P2	DS-KAB6-W1	DS-KAB34X-S1	DS-KAB6-ZU1
				

See Far, Go Further



www.hikvision.com
support@hikvision.com

