

iDS-TCM404-GI 4 MP ANPR Smart Monitoring Camera



- High quality imaging with 4 MP resolution (1/1.8" CMOS)
- Clear imaging against strong back light due to 140 dB WDR technology
- Built-in ANPR engine, equipped with AI algorithm
- Efficient H.265+ compression technology to save bandwidth and storage
- Water and dust resistant (IP67)

▪ Specification

Camera	
Image Sensor	1/1.8" progressive scan CMOS
Max. Resolution	2688 × 1520
Min. Illumination	Color: 0.001 Lux @ (F1.2, AGC ON)
Shutter Time	1/25 s to 1/100,000 s
Day & Night	IR cut filter
Lens	
Focal Length & FOV	2.8-12 mm : Horizontal: 113.5° to 39°, Vertical: 58.4° to 22.7°, Diagonal: 141.3° to 44.3° 8-32 mm : Horizontal: 41.9° to 15.1°, Vertical: 22.9° to 8.64°, Diagonal: 48.8° to 17.3°
Focus	Auto
Iris Type	DC-IRIS
Aperture	2.8-12 mm : F1.38 8-32 mm : F1.7
Illuminator	
Built-in Supplement Light Type	IR light
Built-in Supplement Light Range	40 m
IR Wavelength	850 nm
Video	
Main Stream	50 Hz: 25 fps (2688 × 1520, 1920 × 1080, 1280 × 760, 704 × 576, 352 × 288) 60 Hz: 30 fps (2688 × 1520, 1920 × 1080, 1280 × 760, 704 × 576, 352 × 288)
Sub-Stream	50 Hz: 25 fps (1920 × 1080, 1280 × 760, 704 × 576, 352 × 288) 60 Hz: 30 fps (1920 × 1080, 1280 × 760, 704 × 576, 352 × 288)
Third Stream	50 Hz: 25 fps (1280 × 760, 704 × 576, 352 × 288) 60 Hz: 30 fps (1280 × 760, 704 × 576, 352 × 288)
Video Compression	H.264 and H.265 encoding Main stream: H.265/H.264/MJPEG Sub-stream: H.265/H.264/MJPEG
Video Bit Rate	32 Kbps to 16 Mbps
H.264 Type	Baseline profile/Main profile/High profile
H.265 Type	Main profile
Audio	
Audio Compression	G.711/G.722.1
Audio Bit Rate	8Kbps (G.711) /16Kbps (G.722.1)
Network	
Protocols	TCP/IP,ICMP,HTTP,HTTPS,FTP,SFTP,DHCP,DNS,DDNS,RTP,RTSP,RTCP,NTP,SMTP,SNMP,I GMP,QoS,IPv4/IPv6,UDP,SSL/TLS,ISUP,ARP,802.1X
Simultaneous Live View	Up to 6 channels
API	ONVIF (PROFILE S, PROFILE G, PROFILE T), ISAPI, SDK, ISUP
User/Host	Up to 32 users 3 user levels: administrator, operator, and user

Security	Password protection, Complicated password, HTTPS encryption, 802.1X authentication (EAP-PEAP, EAP-LEAP, EAP-MD5), Watermark, IP address filter, Basic and digest authentication for HTTP/HTTPS, WSSE and digest authentication for ONVIF, RTP/RTSP over HTTPS, Control timeout settings, Security audit log, TLS 1.1, Host authentication (MAC address)
Network Storage	Micro SD/TF card (512 GB), local storage and CVR, NVR, ANPR
Web Browser	Chrome V61+, IE9 to IE11, Firefox V41+, Edge
Image	
Image Settings	Rotation mode, saturation, brightness, contrast, sharpness, AGC, and white balance are adjustable via client software or web browser.
Day/Night Switch	Auto/Scheduled/Triggered by alarm in
Wide Dynamic Range (WDR)	140 dB
Image Enhancement	BLC, 3D DNR
Picture Overlay	Logo picture can be overlaid on video with 128 × 128 in 24-bit bmp format
Interface	
Ethernet Interface	1 RJ45 10M/100M/1000M Ethernet interface
On-Board Storage	Built-in memory card slot, supporting microSD/SDHC/SDXC card, up to 512GB
Audio	Supported
Alarm	1 input interface, 1 output interface, 2 relays
RS-485	1 RS-485 interface
Wiegand	1 Wiegand (CardID 26bit, SHA-1 26bit, Hik 34bit)
Event	
Basic Event	HDD Error, Network Disconnected, IP Address Conflicted, Vehicle Detector Exception, Traffic Light Detector Exception
Road Traffic and Vehicle Detection	
Coverage	Up to 3 lane(s)
Smart Function	License plate recognition Vehicle type classification, color identification, no-plate vehicle capture, vehicle driving direction detection

LPR Countries/Regions	<p>Middle East: The United Arab Emirates (Abu Dhabi, Ajman, Dubai, Fujairah, Ras Al Khaimah, Sharjah and Umm Al Quwain), Qatar, Iraq, Egypt, Jordan, Kuwait, Saudi Arabia, Pakistan, Oman, Lebanon, Bahrain,</p> <p>Africa: Nigeria, Kenya, Ivory Coast, South Africa, Tanzania, Mauritius, Morocco, Tunisia, Sierra Leone, Zambia, Ghana, Zimbabwe, Uganda, Angola, Ethiopia, Senegal, Algeria,</p> <p>Asia-Pacific: Australia, New Zealand, Indonesia, Malaysia, Singapore, South Korea, Thailand, Vietnam, the Philippines, Hong Kong, Macao, Taiwan, Myanmar, India, Mongolia, Cambodia, Laos, Bangladesh, Nepal, Sri Lanka,</p> <p>America: Canada, Argentina, Chile, Paraguay, Uruguay, El Salvador, Bolivia, Colombia, Brazil, Ecuador, Peru, Mexico, Panama, Costa Rica, Trinidad and Tobago, the Dominican Republic, Guatemala,</p> <p>Europe: Turkey, Croatia, Slovakia, Czech Republic, Bulgaria, the Republic of North Macedonia, Hungary, Greece, Poland, France, Netherlands, Switzerland, Spain, the UK, Ireland, Germany, Italy, Austria, Israel, Palestinian, Belgium, Luxembourg, Albania, Kosovo, Serbia, Romania, Montenegro, Denmark, Finland, Sweden, Slovenia, Portugal, Malta, Cyprus, Iceland, Liechtenstein, Bosnia and Herzegovina,</p> <p>Russian-Speaking Regions: Azerbaijan, Belarus, Kazakhstan, Lithuania, Georgia, Estonia, Latvia, Russia, Ukraine, Moldova, Uzbekistan, Kyrgyzstan, Armenia, Turkmenistan, Tajikistan</p>
Accuracy (Under recommended installation and lighting conditions)	Capture rate > 99%, Vehicle moving direction recognition accuracy > 98.5%, LPR accuracy > 98%, Mistaken capture rate < 2%
No License Plate Detection	Supported
Motorcycle LPR	Supported
Vehicle Type	Car, Van, Bus, Truck, Light Truck, SUV(MPV), Pickup, Motorcycle, Tricycle
Vehicle Color	Red, yellow, green, blue, pink, purple, cyan, brown, white, grey, black Recognizable at daytime only.
Vehicle Manufacturer	84 manufacturers: Hyundai, Toyota, KIA, Honda, Volkswagen, Benz, Nissan, Ford, Isuzu, BMW, Chevrolet, Mitsubishi, Renault, Opel, Suzuki, Skoda, Daewoo, Audi, Mazda, GAC HINO, Peugeot, SsangYong, Citroen, Fiat, Scania, MAN, Volvo, Lexus, Seat, Land Rover, Daihatsu, Dongwo, Subaru, Iveco, MINI, JEEP, Porsche, Chery, Dodge, Chrysler, Acura, Alfa Romeo, Great Wall, Infiniti, Smart, Saic Maxus, JAC, Jaguar, GMC, Lincoln, JMC, SAAB, FAW, Yutong, Guangzhou Yunbao, Joylong, Geely, Cadillac, JBC, An'kai, Haima, Foton, King Long, Dongfeng, Geely-Emgrand, Perodua, UD, BYD, Renault Samsung, Proton, HICOM, Malaysia_Unknown 1, Hyundai-Rohens, SsangYong-Old Version, Equus-Old Version, CNHTC, Rolls-Royce, Beiben Truck, Haval, Hino, Kia-Borrego, Chang'an, Alfa, FORO
Capture Speed Range	5 to 120 km/h
General	
Operating System	Linux
Power	DC 12 V to 24 V, 1.25 A, max. 15 W, two-core terminal block PoE: 802.3at, Type 2, Class 4, max. 15 W
Material	Plastic
Dimension	313 mm × 127.9 mm × 115.2 mm (12.32" × 5.04" × 4.54") (L × W × H)
Package Dimension	512 mm × 400 mm × 205 mm (20.16" × 15.75" × 8.07") (L × W × H)
Weight	Approx. 1.4 kg (3.09 lb.)

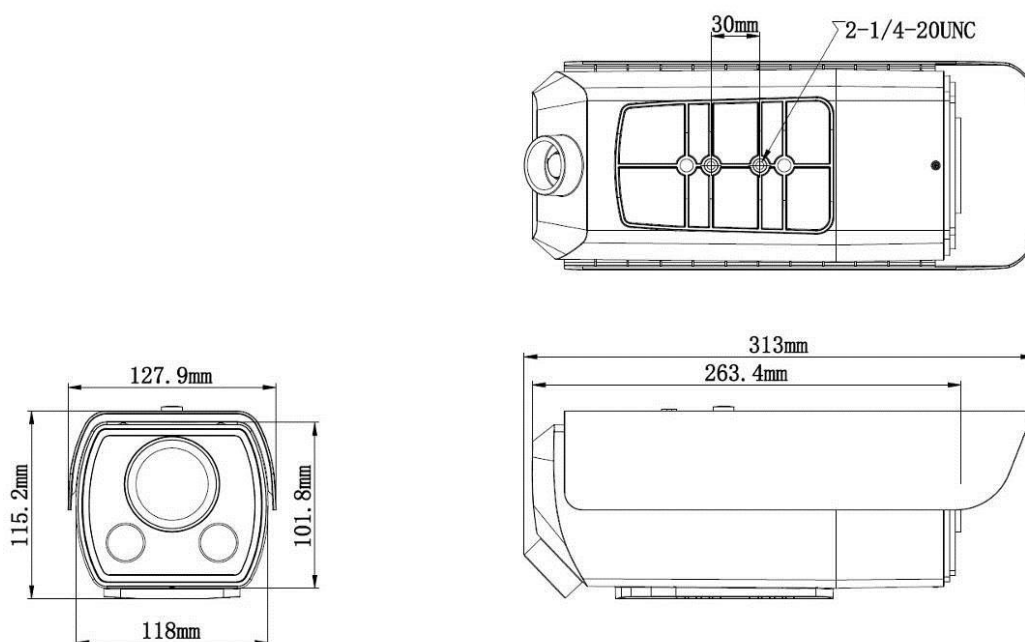
With Package Weight	Approx. 3 kg (6.61 lb.)
Operating Condition	-30 °C to 70 °C (-22 °F to 158 °F). Humidity 95% or less (non-condensing)
General Function	One-key reset, three streams, heartbeat, password protection, watermark
Language	8 languages: English, Russian, Croatian, Korean, Russian, Traditional Chinese, Ukrainian, Spanish
Storage Condition	-30 °C to +60 °C (-22 °F to +140 °F). Humidity 95% or less (Non-condensing)
Approval	
EMC	CE-EMC: EN 55032: 2015/A11:2020+A1:2020, EN IEC61000-3-2: 2019/A1:2021, EN 61000-3-3: 2013+A1:2019/A2:2021, EN 50130-4: 2011 +A1: 2014
Safety	CB: IEC 62368-1: 2014+A11,CB: IEC 62368-1: 2018+A11,CE-LVD: EN 62368-1: 2014/A11: 2017
Environment	CE-RoHS: 2011/65/EU,WEEE: 2012/19/EU,Reach: Regulation (EC) No 1907/2006
Protection	IP67: IEC 60529-2013

▪ Available Model

iDS-TCM404-GI/POE/0832




iDS-TCM404-GI/POE/2812

▪ Dimension



▪ **Accessory**

▪ **Optional**

DS-1275ZJ-BJH/600mm Vertical Pole Mount	DS-1701ZJ/HWB Wall Mount	DS-1232ZJ-T/BJH PT Joint	DS-1278ZJ-HWB Horizontal Pole Mount
			

Headquarters

No.555 Qianmo Road, Binjiang District,
Hangzhou 310051, China
T +86-571-8807-5998
www.hikvision.com



Follow us on social media to get the latest product and solution information.

