

DS-2CD3321G2E-I
2MP Fixed Turret Network Camera

Hikvision has been dedicated to develop products with security since established. Hikvision always follows security by design principle and has adopted many methods of security technologies into our product development lifecycle, including terminal security, data security, application security, network security, and privacy protection.

In the meantime, the security technologies used by Hikvision are all in compliance with local applicable laws and safety regulations. These security measures could enhance product's cyber security protection capability and protect your devices as well as your data from malicious cyber attacks.

- High quality imaging with 2 MP resolution
- Support Human and Vehicle Detection
- Clear imaging even with strong back lighting due to DWDR technology
- Efficient H.265+ compression technology
- EXIR 2.0: advanced infrared technology with long IR range
- Water and dust resistant (IP67)

▪ Specification

| Camera | |
|--------------------------|--|
| Image Sensor | 1/2.9" Progressive Scan CMOS |
| Max. Resolution | 1920 × 1080 |
| Min. Illumination | Color: 0.01 Lux @ (F2.0, AGC ON), B/W: 0 Lux with IR |
| Shutter Time | 1/3 s to 1/100,000 s |
| Day & Night | IR cut filter |
| Angle Adjustment | Pan: 0° to 360°, tilt: 0° to 75°, rotate: 0° to 360° |
| Lens | |
| Lens Type | Fixed focal lens, 2.8 and 4 mm optional |
| Focal Length & FOV | 2.8 mm, horizontal FOV 104.9°, vertical FOV 58.3°, diagonal FOV 123.3° 4 mm, horizontal FOV 81.3°, vertical FOV 43.7°, diagonal FOV 96.9° |
| Lens Mount | M12 |
| Iris Type | Fixed |
| Aperture | F2.0 |
| DORI | |
| DORI | 2.8 mm, D: 42 m, O: 16 m, R: 8 m, I: 4 m 4 mm, D: 57 m, O: 22 m, R: 11 m, I: 5 m |
| Illuminator | |
| Supplement Light Type | IR |
| Supplement Light Range | Up to 40 m |
| Smart Supplement Light | Yes |
| IR Wavelength | 850 nm |
| Video | |
| Main Stream | 50 Hz: 25 fps (1920 × 1080, 1280 × 720) 60 Hz: 30 fps (1920 × 1080, 1280 × 720) |
| Sub-Stream | 50 Hz: 25 fps (640 × 480, 640 × 360) 60 Hz: 30 fps (640 × 480, 640 × 360) |
| Video Compression | Main stream: H.265+/H.265/H.264+/H.264, Sub-stream: H.265/H.264/MJPEG |
| Video Bit Rate | 32 Kbps to 8 Mbps |
| H.264 Type | Baseline Profile, Main Profile, High Profile |
| H.265 Type | Main Profile |
| Bit Rate Control | CBR, VBR |
| Region of Interest (ROI) | 1 fixed region for main stream and sub-stream |
| Network | |
| Security | Password protection, complicated password, HTTPS encryption, 802.1X authentication (EAP-MD5), watermark, basic and digest authentication for HTTP/HTTPS, WSSE and digest authentication for Open Network Video Interface, RTP/RTSP over HTTPS, security audit log, TLS 1.2, TLS 1.3, host authentication (MAC address) |
| Simultaneous Live View | Up to 6 channels |
| API | Open Network Video Interface (Profile S, Profile T), ISAPI, SDK |
| Protocols | TCP/IP, ICMP, DHCP, DNS, HTTP, RTP, RTSP, RTCP, NTP, IGMP, IPv4, IPv6, UDP, QoS, FTP, SMTP, HTTPS, DDNS, UPnP, 802.1X |
| User/Host | Up to 32 users 3 user levels: administrator, operator, and user |

| | |
|----------------------------------|---|
| Client | iVMS-4200,Hik-Connect |
| Web Browser | Plug-in required live view: IE 10, IE 11, Local service: Chrome 57.0+, Firefox 52.0+ |
| Image | |
| Wide Dynamic Range (WDR) | Digital WDR |
| SNR | ≥ 52 dB |
| Day/Night Switch | Day,Night,Auto,Schedule |
| Image Enhancement | BLC,HLC,3D DNR |
| Image Settings | Rotate mode,saturation,brightness,contrast,sharpness,gain,white balance,adjustable by client software or web browser |
| Privacy Mask | 4 programmable polygon privacy masks |
| Interface | |
| Ethernet Interface | 1 RJ45 10 M/100 M self-adaptive Ethernet port |
| Event | |
| Basic Event | Motion detection (support alarm triggering by specified target types (human and vehicle)), video tampering alarm, exception |
| Smart Event | Line crossing detection, intrusion detection |
| Linkage | Upload to FTP, send email, notify surveillance center, trigger capture |
| General | |
| Power | 12 VDC ± 25%, 0.5 A, max. 6 W,∅5.5 mm coaxial power plug,reverse polarity protection, PoE: IEEE 802.3af, Class 3, max. 7.5 W |
| Material | Cover: Plastic, main body: Metal |
| Dimension | ∅110 mm × 92 mm (∅4.3" × 3.6") |
| Package Dimension | 150 mm × 150 mm × 141 mm (5.9" × 5.9" × 5.6") |
| Weight | Approx. 360 g (0.8 lb.) |
| With Package Weight | Approx. 586 g (1.3 lb.) |
| Storage Conditions | -30 °C to 60 °C (-22 °F to 140 °F). Humidity 95% or less (non-condensing) |
| Startup and Operating Conditions | -30 °C to 60 °C (-22 °F to 140 °F). Humidity 95% or less (non-condensing) |
| Language | English, Turkish, Polish, Romanian, Czech, Slovak, Traditional Chinese, Thai, Vietnamese, Croatian, Slovenian, Serbian, Ukrainian |
| General Function | Heartbeat,anti-banding,mirror,password protection,password reset via email,pixel counter |
| Approval | |
| EMC | FCC: 47 CFR Part 15, Subpart B |
| Safety | CB: IEC 62368-1:2014+A11, CE-LVD: EN 62368-1:2014/A11: 2017, BIS: IS 13252 (Part 1): 2010/IEC 60950-1:2005 |
| Environment | CE-RoHS: 2011/65/EU |
| Protection | IP67: IEC 60529-2013,IK08: IEC 62262:2002 |

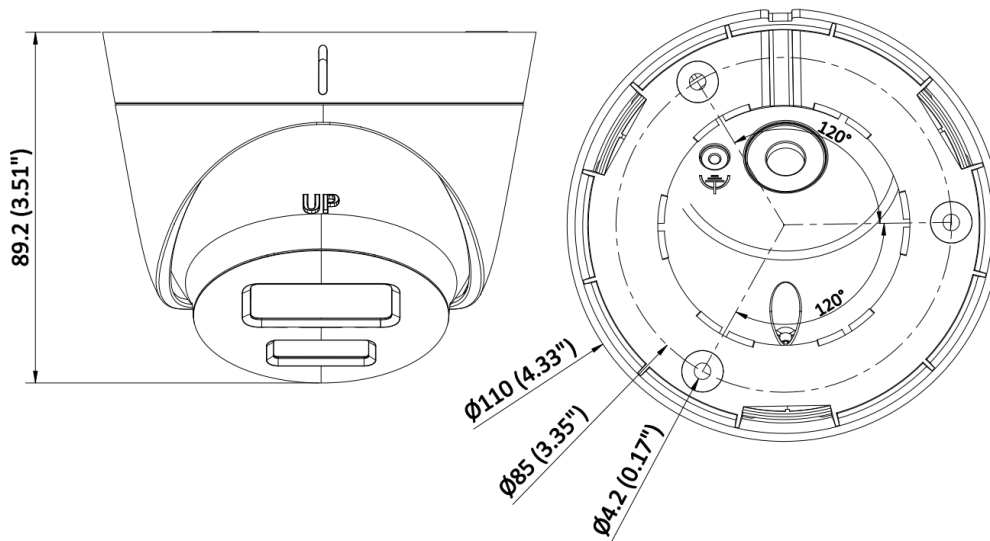
▪ Typical Application

Hikvision products are classified into three levels according to their anti-corrosion performance. Refer to the following description to choose for your using environment.

This model has NO SPECIFIC PROTECTION.

| Level | Description |
|------------------------|--|
| Top-level protection | Hikvision products at this level are equipped for use in areas where professional anti-corrosion protection is a must. Typical application scenarios include coastlines, docks, chemical plants, and more. |
| Moderate protection | Hikvision products at this level are equipped for use in areas with moderate anti-corrosion demands. Typical application scenarios include coastal areas about 2 kilometers (1.24 miles) away from coastlines, as well as areas affected by acid rain. |
| No specific protection | Hikvision products at this level are equipped for use in areas where no specific anti-corrosion protection is needed. |

▪ Dimension



Unit:mm (inch)


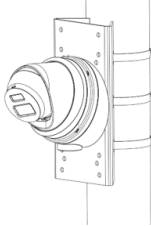
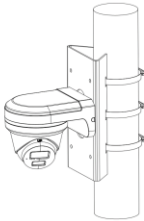

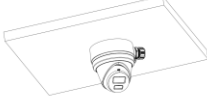



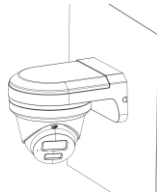

▪ Accessory

▪ Optional

| DS-1276ZJ-SUS | DS-1275ZJ-SUS | DS-1280ZJ-S | DS-1275ZJ-S-SUS | DS-1271ZJ-110-TRS |
|---------------|---------------|-------------|-----------------|-------------------|
| | | | | |

| | | | | |
|---|---|---|--|---|
| DS-1281ZJ-S | DS-1280ZJ-TR13 | DS-220AZJ-145-WA | DS-220AZJ-130-WA | DS-1272ZJ-110-TRS |
|  |  |  |  |  |

▪ **Installation Methods**

| | | | | |
|---|---|---|---|---|
| Corner Mounting DS-1276ZJ-SUS+DS-220AZJ-130-WA | Vertical Pole Mounting DS-1275ZJ-SUS+DS-1281ZJ-S | Vertical Pole Mounting DS-1275ZJ-S-SUS+DS-220AZJ-145-WA | Junction Box DS-1280ZJ-S | Junction Box DS-1280ZJ-TR13 |
|  |  |  |  |  |
| Pendant Mounting DS-1271ZJ-110-TRS | Inclined Ceiling Mounting DS-1281ZJ-S | Wall Mounting DS-220AZJ-145-WA | Wall Mounting DS-220AZJ-130-WA | Wall Mounting DS-1272ZJ-110-TRS |
|  |  |  |  |  |

See Far, Go Further



www.hikvision.com
support@hikvision.com

