

DS-3WR15X
1500M Wi-Fi 6 Wireless Router



- 1500Mbps Wi-Fi 6
- Wired Wireless Dual Gigabit
- Dual Band in One and 5G First
- Roaming Support
- APP Management

▪ Specification

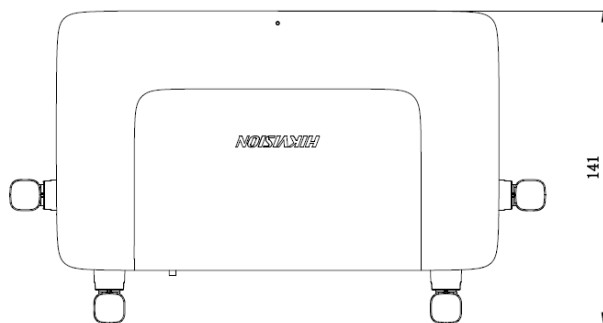
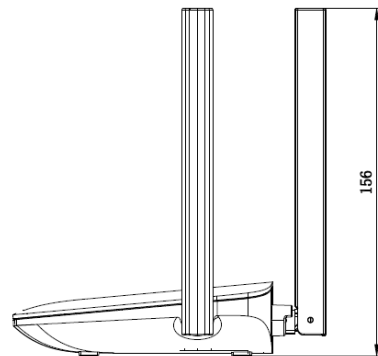
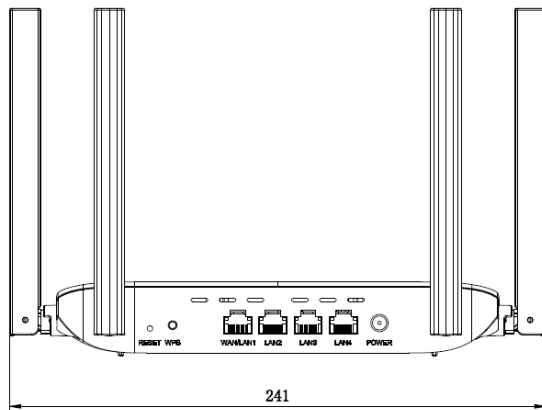
General	
Product Dimensions (W × H × D)	241.3 mm × 140.8 mm × 156.3mm
Package Dimensions (W × H × D)	320mm ×265mm ×55mm
Net Weight	0.245 kg
Gross Weight	0.790 kg
Packing List	1500Mbps Wi-Fi6 Router x 1 Power Supply Adaptor × 1 CAT5e Network Cable × 1 Quick Start Guide × 1 Regulatory Compliance and Safety Information × 1 Product Flyer×1
Packing Method	Single pack
Working Temperature	0 °C to 40 °C (32 °F to 104 °F)
Working Humidity	10% to 90% RH non-condensing
Storage Temperature	-40 °C to 70 °C (-40 °F to 158 °F)
Storage Humidity	5% to 95% RH non-condensing
Installation Mode	Desk-Mounted,Wall-Mounted
Wireless Parameter	
Wireless Standard	IEEE 802.11a/n/ac/ax @5GHz IEEE 802.11b/g/n @2.4GHz
Working Frequency Band	2.4 GHz , 5 GHz
Wireless Range	Up to 1300 ft ² /120 m ² (Recommend coverage for home use, actual Wi-Fi range varies depending on the layout and wall materials)
Max. Connections	128
Recommended Connections	50
Transmitting Power	CE: < 20dBm(2.4GHz) < 23dBm(5GHz)
Wireless Features	Dual Band Supported MU-MIMO supported Beamforming supported OFDMA supported
Antenna	4 high gain antennas
Antenna Gain	5dbi
Receiving Sensitivity	5GHz: -89dBm@HE80-MCS0 -60dBm@HE80-MCS11 2.4GHz: -93dBm@HT40-MCS0 -73dBm@HT40-MCS7

Max. Wi-Fi Speed	≤ 1500 Mbps 5GHz: 1201Mbps 2.4GHz: 300Mbps
Hardware Parameter	
Network Interface	1 × 10/100/1000 Mbps Adaptive WAN Port 3 × 10/100/1000 Mbps Adaptive LAN Ports
LED Indicator	Red/blue for different working states, flashing mode
Button	Reset button, WPS Button
RAM	128MB
ROM	128MB
Power Supply Method	Power Supply Adapter
Power Specifications	DC 12 V, 1 A
Max. Power Consumption	≤ 10 W
Software Function	
Operating Mode	Router Mode Wireless Extender Mode Access Point Mode
WAN Mode	DHCP Static IP PPPOE
IP Version	IPv4 IPv6
DHCP	DHCP Client List DHCP Server
Parental Control	Speed Limit Internet Access Period Filter URL Parental Control Custom Profiles
Firewall	Forbid TCP SYNC flood attack, Forbid ICMP flood attack
DDNS	Oray, No-IP, DynDNS
VPN	PPTP Server, L2TP Server, PPTP Client, L2TP Client
NAT Forwarding	Port Mapping DMZ UPnP
Others	VLAN/IPTV, WAN Self-Adaption, Quick Diagnosis, WIFI Optimization
MESH	Hikvision Mesh
Security Mode	WPA2-PSK, WPA/WPA2-PSK, WPA2-PSK/WPA3-SAE
Security Mechanism	Support fast and secure WPS connection Support hiding wireless network name Support controlling terminal network connection Support firewalls Login Authentication
Management Method	Web Control: PC, mobile App Control: HPP, HC TR069(TR098/TR181)

Upgrade	Web Upgrade App Cloud Upgrade Auto Upgrade
System Log	System log
Roaming	802.11k/v

▪ **Typical Application**

▪ **Dimension**



See Far, Go Further



www.hikvision.com
support@hikvision.com

