

DS-2CD1T23G2-I(UF)
2 MP MD 2.0 Fixed Bullet Network Camera



- High quality imaging with 2 MP resolution
- Support Human and Vehicle Detection
- Water and dustresistant (IP67)
- Efficient H.265+ compression technology
- EXIR 2.0: advanced infrared technology with long IR range
- Support on-board storage up to 256GB (SD card slot)(Optional)
- Built-in microphone for real-time audio security(Optional)

▪ Specification

| Camera | |
|-----------------------------|--|
| Image Sensor | 1/2.9" Progressive Scan CMOS |
| Max. Resolution | 1920 × 1080 |
| Shutter Time | 1/3 s to 1/100,000 s |
| Min. Illumination | Color: 0.01 Lux @ (F2.0, AGC ON), B/W: 0 Lux with IR |
| Day & Night | IR cut filter |
| Angle Adjustment | Pan: 0° to 360°, tilt: 0° to 180°, rotate: 0° to 360° |
| Lens | |
| Lens Type | Fixed focal lens, 4 and 6 mm optional |
| Focal Length & FOV | 4 mm, horizontal FOV 81°, vertical FOV 43°, diagonal FOV 96° 6 mm, horizontal FOV 51°, vertical FOV 27°, diagonal FOV 60° |
| Lens Mount | M12 |
| Iris Type | Fixed |
| Aperture | F2.0 |
| DORI | |
| DORI | 4 mm, D: 57 m, O: 22 m, R: 11 m, I: 5 m 6 mm, D: 91 m, O: 36 m, R: 18 m, I: 9 m |
| Illuminator | |
| Supplement Light Type | IR |
| Supplement Light Range | Up to 50 m |
| Smart Supplement Light | Yes |
| IR Wavelength | 850 nm |
| Video | |
| Main Stream | 50 Hz: 25 fps (1920 × 1080, 1280 × 720) 60 Hz: 30 fps (1920 × 1080, 1280 × 720) |
| Sub-Stream | 50 Hz: 25 fps (640 × 480, 640 × 360) 60 Hz: 30 fps (640 × 480, 640 × 360) |
| Video Compression | Main stream: H.265+/H.265/H.264+/H.264 Sub-stream: H.265/H.264/MJPEG |
| Video Bit Rate | 32 Kbps to 8 Mbps |
| H.264 Type | Baseline Profile/Main Profile/High Profile |
| H.265 Type | Main Profile |
| Bit Rate Control | CBR/VBR |
| Region of Interest (ROI) | 1 fixed region for main stream |
| Audio | |
| Audio Type | -U: Mono sound |
| Environment Noise Filtering | -U: Yes |
| Audio Sampling Rate | -U: 8 kHz/16 kHz |
| Audio Compression | -U: G.711ulaw/G.711alaw/G.722.1/G.726/MP2L2/PCM/AAC-LC |
| Audio Bit Rate | -U: 64 Kbps (G.711 ulaw)/64 Kbps (G.711 alaw)/16 Kbps (G.722.1)/16 Kbps (G.726)/32 to 160 Kbps (MP2L2)/16 to 64 Kbps (AAC-LC) |
| Network | |
| Security | Password protection, complicated password, watermark, basic and digest authentication for HTTP, WSSE and digest authentication for Open Network Video Interface, security audit log, host authentication (MAC address) |

| | |
|----------------------------------|--|
| Simultaneous Live View | Up to 6 channels |
| API | Open Network Video Interface (Profile S, Profile T, Profile G (only -F model supports)), ISAPI, SDK |
| Protocols | TCP/IP, ICMP, DHCP, DNS, HTTP, RTP, RTSP, NTP, IGMP, IPv6, UDP, QoS, FTP, SMTP |
| User/Host | Up to 32 users 3 user levels: administrator, operator, and user |
| Client | iVMS-4200, Hik-Connect |
| Web Browser | Plug-in required live view: IE 10, IE 11 Local service: Chrome 57.0+, Firefox 52.0+ |
| Image | |
| Wide Dynamic Range (WDR) | Digital WDR |
| SNR | ≥ 52 dB |
| Day/Night Switch | Day, Night, Auto, Schedule |
| Image Enhancement | BLC, HLC, 3D DNR |
| Image Settings | Rotate mode, saturation, brightness, contrast, sharpness, gain, white balance, adjustable by client software or web browser |
| Privacy Mask | 4 programmable polygon privacy masks |
| Interface | |
| Ethernet Interface | 1 RJ45 10 M/100 M self-adaptive Ethernet port |
| On-Board Storage | -F: Built-in memory card slot, support microSD/microSDHC/microSDXC card, up to 256 GB |
| Built-in Microphone | -U: Yes |
| Reset Key | -F: Yes |
| Event | |
| Basic Event | Motion detection (support alarm triggering by specified target types (human and vehicle)), video tampering alarm, exception |
| Linkage | Upload to FTP/memory card (-F), send email, notify surveillance center, trigger recording (-F), trigger capture |
| General | |
| Power | 12 VDC ± 25%, 0.45 A, max. 5.5 W, Ø5.5 mm coaxial power plug PoE: 802.3af, Class 3, 36 V to 57 V, 0.2 A to 0.15 A, max. 6.5 W |
| Material | Metal & Plastic |
| Dimension | 83.7 mm × 80.7 mm × 205.6 mm (3.3" × 3.2" × 8.1") |
| Package Dimension | 260 mm × 125 mm × 125 mm (10.2" × 4.9" × 4.9") |
| Weight | -I: Approx. 560 g (1.2 lb.); -IUF: Approx. 580g (1.3 lb.) |
| With Package Weight | -I: Approx. 615 g (1.4 lb.); -IUF: Approx. 635 g (1.4 lb.) |
| Storage Conditions | -30 °C to 60 °C (-22 °F to 140 °F). Humidity 95% or less (non-condensing) |
| Startup and Operating Conditions | -30 °C to 60 °C (-22 °F to 140 °F). Humidity 95% or less (non-condensing) |
| Language | English, Ukrainian |
| General Function | Heartbeat, anti-banding, mirror, password protection, password reset via email |

| Approval | |
|-------------|---|
| EMC | FCC: 47 CFR Part 15, Subpart B CE-EMC: EN 55032: 2015, EN 61000-3-2:2019, EN 61000-3-3: 2013+A1:2019, EN 50130-4:2011 +A1: 2014 RCM: AS/NZS CISPR 32: 2015 IC: ICES-003: Issue 7 KC: KN32: 2015, KN35: 2015 |
| Safety | UL: UL 62368-1 CB: IEC 62368-1:2014+A11 CE-LVD: EN 62368-1:2014/A11: 2017 BIS: IS 13252 (Part 1): 2010/IEC 60950-1:2005 |
| Environment | CE-RoHS: 2011/65/EU WEEE: 2012/19/EU Reach: Regulation (EC) No 1907/2006 |
| Protection | IP67: IEC 60529-2013 |

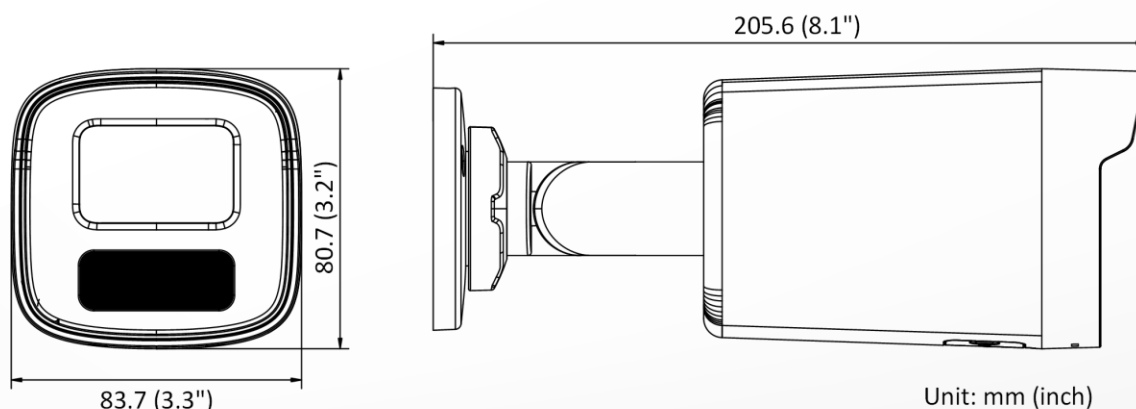
▪ Typical Application

Hikvision products are classified into three levels according to their anti-corrosion performance. Refer to the following description to choose for your using environment.

This model has NO SPECIFIC PROTECTION.




| Level | Description |
|------------------------|--|
| Top-level protection | Hikvision products at this level are equipped for use in areas where professional anti-corrosion protection is a must. Typical application scenarios include coastlines, docks, chemical plants, and more. |
| Moderate protection | Hikvision products at this level are equipped for use in areas with moderate anti-corrosion demands. Typical application scenarios include coastal areas about 2 kilometers (1.24 miles) away from coastlines, as well as areas affected by acid rain. |
| No specific protection | Hikvision products at this level are equipped for use in areas where no specific anti-corrosion protection is needed. |

▪ Dimension

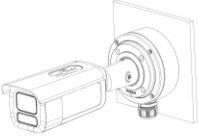
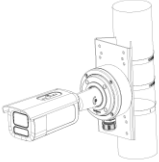
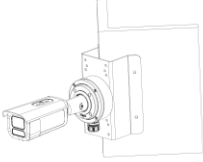


▪ Accessory

▪ **Optional**

| DS-1280ZJ-XS | DS-1275ZJ-SUS | DS-1276ZJ-SUS |
|---|---|---|
|  |  |  |

▪ **Installation Methods**

| Junction Box DS-1280ZJ-XS | Vertical Pole Mounting DS-1275ZJ-SUS+DS-1280ZJ-XS | Corner Mounting DS-1276ZJ-SUS+DS-1280ZJ-XS |
|--|--|---|
|  |  |  |

See Far, Go Further



www.hikvision.com
support@hikvision.com

