

DS-2XS2T41G1-ID/4G 4MP Solar-powered Security Camera Setup



- High quality imaging with 4 MP resolution
- Standalone with solar panel and built-in battery
- Support human and vehicle detection
- Provide real-time security via built-in two-way audio
- Water and dust resistant (IP67)
- Support 4G (LTE-TDD/LTE-FDD/TD-SCDMA) communication

▪ Specification

Model		DS-2XS2T41G1-ID/4G
Camera	Image Sensor	1/3" Progressive Scan CMOS
	Max. Resolution	2560 × 1440
	Min. Illumination	B/W: 0.01 Lux @ (F1.6, AGC ON),B/W: 0 Lux with IR
	Shutter Time	1/3 s to 1/100,000 s
	Day & Night	IR cut filter
	Angle Adjustment	Solar panel: tilt: -45° to 45°, rotate:-30° to 30°
Lens	Lens Type	Fixed focal lens, 4 and 6 mm optional
	Iris Type	Fixed
	Aperture	4mm: F1.28, 6mm: F1.6
	Depth of Field	4 mm: 2.7 m to ∞ 6 mm: 5.9 m to ∞
	Focal Length & FOV	4 mm, Horizontal FOV: 79°, Vertical FOV: 43°, Diagonal FOV: 93° 6 mm, Horizontal FOV: 49°, Vertical FOV: 26°, Diagonal FOV: 57°
	Lens Mount	M12
DORI	DORI	4 mm, D: 77 m, O: 30 m, R: 15 m, I: 7 m 6 mm, D: 128 m, O: 50 m, R: 25 m, I: 12 m
Illuminator	Supplement Light Type	IR
	Supplement Light Range	Performance mode: up to 30 m, proactive mode: up to 10 m
	IR Wavelength	850 nm
	Smart Supplement Light	Yes
Video	Main Stream	50 Hz: 12.5 fps (2560 × 1440, 1920 × 1080, 1280 × 720) 60 Hz: 15 fps (2560 × 1440, 1920 × 1080, 1280 × 720)
	Sub-Stream	50 Hz: 12.5 fps (1280 × 720, 640 × 480, 640 × 360) 60 Hz: 15 fps (1280 × 720, 640 × 480, 640 × 360)
	Video Compression	Main stream: H.265/ H.264, Sub-stream: H.265/H.264/MJPEG, H.264+ and H.265+: main stream supports under performance mode
	Video Bit Rate	32 Kbps to 8 Mbps
	H.264 Type	Baseline Profile,Main Profile,High Profile
	H.265 Type	Main Profile
	Bit Rate Control	CBR,VBR
	Region of Interest (ROI)	1 fixed region for main stream
	Scalable Video Coding (SVC)	H.264 and H.265 encoding

Audio	Audio Sampling Rate	8 kHz/16 kHz
	Environment Noise Filtering	Yes
	Audio Compression	G.711ulaw/G.711alaw/G.722.1/G.726/MP2L2/PCM/AAC-LC
	Audio Bit Rate	64 Kbps (G.711ulaw/G.711alaw)/16 Kbps (G.722.1)/16 Kbps (G.726)/32 to 192 Kbps (MP2L2)/8 to 320 Kbps (MP3)/16 to 64 Kbps (AAC-LC)
Network	API	ISAPI,SDK,ISUP,OTAP
	Security	Password protection, complicated password, basic and digest authentication for HTTP, TLS 1.1/1.2/1.3
	Simultaneous Live View	Up to 6 channels
	Protocols	TCP/IP, ICMP, HTTP, DHCP, DNS, RTP, RTSP, RTCP, NTP, IGMP, QoS, UDP
	User/Host	Up to 32 users 3 user levels: administrator, operator, and user
	Network Storage	Auto Network Replenishment (ANR)
	Client	iVMS-4200,Hik-Connect,Hik-Central
	Web Browser	Plug-in required live view: IE 10, IE 11, Plug-in free live view: Chrome 57.0+, Firefox 52.0+, Local service: Chrome 57.0+, Firefox 52.0+
Mobile Communication	Uplink and Downlink Data Rate	Cat 4, uplink: 50 Mbps, downlink: 150 Mbps
	SIM Card Type	Micro SIM
	Frequency	EU: LTE-TDD: B38/B40/B41 LTE-FDD: B1/B3/B5/B7/B8/B20/B28 WCDMA: B1/B5/B8 GSM: B3/B5/B8 LA: LTE-TDD: B38/B40 LTE-FDD: B1/B2/B3/B4/B5/B7/B8/B12/B17/B28/B66 WCDMA:B1/B2/B3/B4/B5/B8 GSM: B2/B3/B5/B8
	Standard	LTE-TDD,LTE-FDD,WCDMA,GSM
Image	SNR	≥ 52 dB
	Wide Dynamic Range (WDR)	Digital WDR
	Day/Night Switch	Day,Night,Auto,Schedule
	Image Enhancement	BLC,HLC,3D DNR
	Image Settings	Saturation,brightness,contrast,sharpness,gain,white balance,adjustable by client software or web browser

Transducer	Transducer Type	PIR + Radar
	Detection Angle	4 mm : Horizontal:80°, vertical:42°,6 mm: Horizontal: 50°, vertical:22°
	Detection Range	Up to 12 m
Interface	Ethernet Interface	1 RJ45 10 M/100 M self-adaptive Ethernet port
	On-Board Storage	Built-in eMMC storage, up to 8 GB, Built-in memory card slot, support microSD/microSDHC/microSDXC card, up to 256 GB,For eMMC storage, 5 GB is available for recording.
	Built-in Microphone	Yes
	Built-in Speaker	Yes
	Reset Key	Yes
Event	Basic Event	PIR, exception
	Linkage	Upload to memory card,notify surveillance center,trigger recording,trigger capture,audible warning
General	Power	Power Consumption and Current: Typical power scenarios: 1.85 W (4G working) Standby scenarios: 80 mW Max. power consumption: 7 W Power Supply: 12 VDC *For debugging only 6.5 W (deviation: ± 1 W) Solar panels Power Interface: Power supply interface: Ø5.5 mm coaxial power plug Extened solar panel: Ø5.5 mm coaxial power plug
	Material	Plastic
	Storage Conditions	0 °C to 50 °C (32 °F to 122 °F). Humidity 95% or less (non-condensing)
	Language	English, Ukranian
	General Function	Heartbeat,mirror,flash log
	Startup and Operating Conditions	0 °C to 50 °C (32 °F to 122 °F). Humidity 95% or less (non-condensing)
	Dimension	213.7 mm × 292.4 mm × 188.7 mm (8.4" × 11.5" × 7.3")
	Package Dimension	345 mm × 240 mm × 292 mm (13.6" × 9.4" × 11.5")
	Weight	Approx. 1.42 kg (3.1 lb.)
	With Package	

	Weight	Approx. 2.07 kg (4.6 lb.)
Battery	Battery Type	Ternary Lithium
	Capacity	51.46 Wh
	Max. Charging Voltage	12.6 V
	Operating Temperature	Charging: 0 °C to 45 °C (32 °F to 113 °F) Discharging: -20 °C to 50 °C (-4 °F to 122 °F)
	Battery Voltage	8.1 V to 12.6 V
	Battery Life	More than 800 cycles
	Cycle Lifetime	Standby mode: 11 days
	Battery Weight	Approx. 185 g (0.4 lb.)
Approval	RF	CE-RED: EN 301489-1 V2.1.1 (BT or 2.4G), EN 301489-17 V3.1.1 (BT or 2.4G), EN 300328 V2.1.1 (BT or 2.4G), EN 62311: 2008 (BT or 2.4G) *CE certification is only for the device sold in the European region.
	EMC	CE-EMC: EN 55032: 2015, EN 61000-3-2:2019, EN 61000-3-3: 2013+A1:2019, EN 50130-4: 2011 +A1: 2014, RCM: AS/NZS CISPR 32: 2015, *CE and RCM certifications are only for the device sold in the European region.
	Safety	CB: IEC 62368-1:2014+A11, CE-LVD: EN 62368-1:2014/A11: 2017, LOA: IEC/EN 60950-1, *CE and LOA certifications are only for the device sold in the European region.
	Environment	CE-RoHS: 2011/65/EU, WEEE: 2012/19/EU, Reach: Regulation (EC) No 1907/2006, *CE certification is only for the device sold in the European region.
	Protection	IP67: IEC 60529-2013

*Note: In sleeping mode, recording is started after the device is woken up.

▪ Typical Application

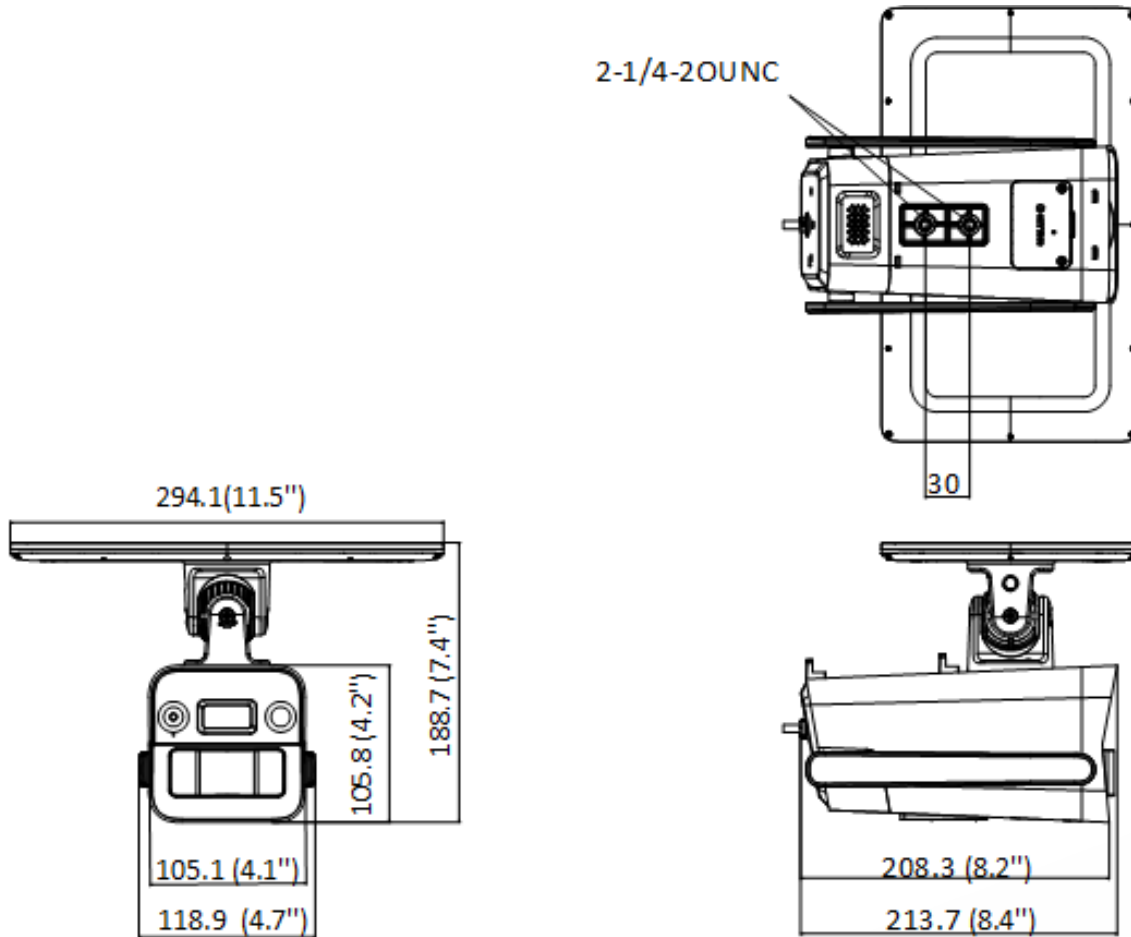
Hikvision products are classified into three levels according to their anti-corrosion performance. Refer to the following description to choose for your using environment.

This model has NO SPECIFIC PROTECTION.

Level	Description
Top-level protection	Hikvision products at this level are equipped for use in areas where professional anti-corrosion protection is a must. Typical application scenarios include coastlines, docks, chemical plants, and more.
Moderate protection	Hikvision products at this level are equipped for use in

	areas with moderate anti-corrosion demands. Typical application scenarios include coastal areas about 2 kilometers (1.24 miles) away from coastlines, as well as areas affected by acid rain.
No specific protection	Hikvision products at this level are equipped for use in areas where no specific anti-corrosion protection is needed.

▪ **Dimension**



Unit: mm (inch)

See Far, Go Further



www.hikvision.com
support@hikvision.com

