

## DS-K1T673TDX-T Ultra Series Face Access Terminal



The face recognition terminal is a kind of access control device integrated with temperature screening function. It can fast take temperature and upload abnormal temperature event to the center, which can be widely applied in multiple scenarios, such as enterprises, stations, dwellings, factories, schools, campus and so on.

Note that the device is not for medical use.

- Temperature measuring range: 30 °C to 45 °C (86 °F to 113 °F), accuracy: 0.1 °C, deviation: ± 0.5 °C
- Recognition distance: 0.3 to 3 m
- Face mask detection
- Displays temperature measurement results on the authentication page
- 7-inch LCD touch screen, 2 Mega pixel wide-angle lens
- Built-in M1 card, Felica card, and DESfire card reading module (presents card on the screen to authenticate)
- Face recognition duration < 0.2 s/User; Face recognition accuracy rate ≥ 99%
- 100,000 face capacity, 10,000 fingerprint capacity (With fingerprint module), 500,000 card capacity, and 150,000 event capacity
- Supports ISAPI, ISUP 5.0, TCP/IP (IPv4 and IPv6)
- Supports Push SDK.
- Supports the following SIP servers: ASTERISK, 3CX, ELASTIX, miniSipServer, Brekeke, OpenSIPs, Kamailio.
- Supports face duplicate check, preventing multiple people from using the same face.
- Supports attendance-only function.
- Supports customized Wiegand parameters.

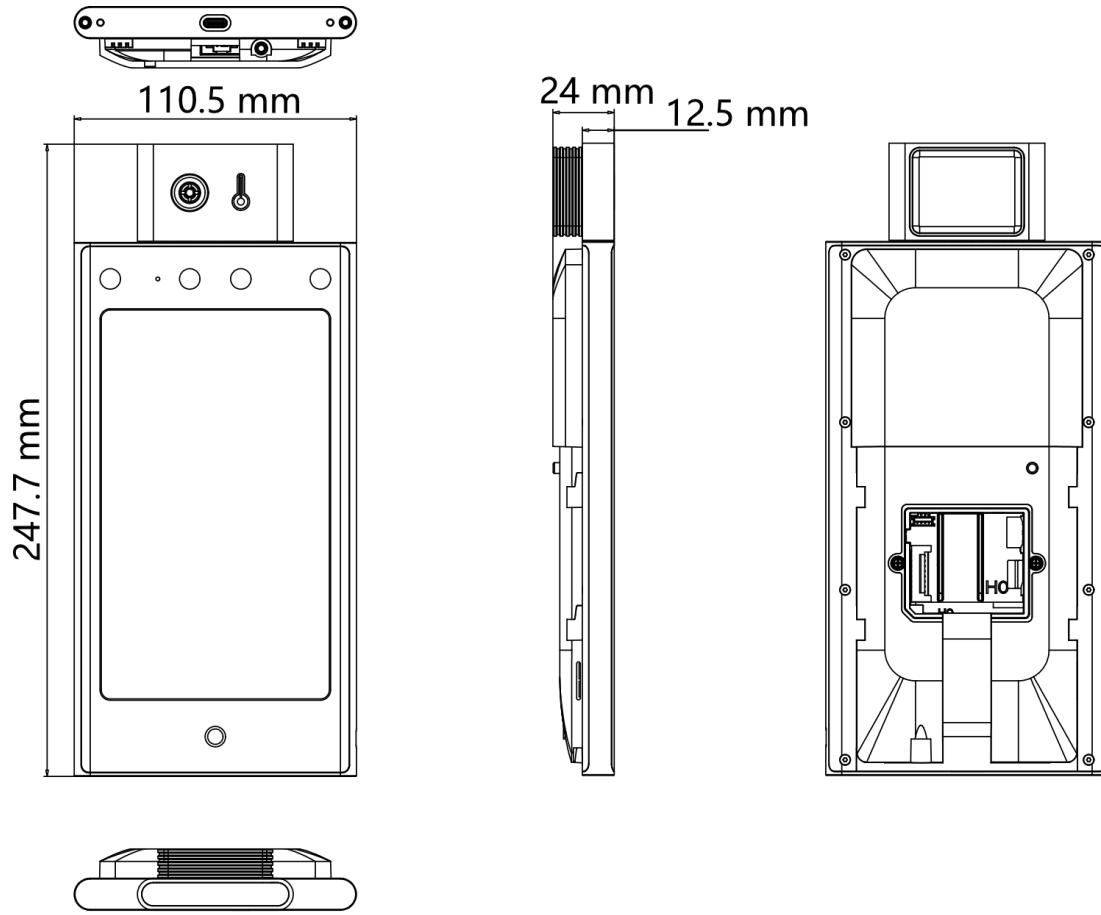
**\*\*COMPLIANCE NOTICE:** The thermal series products might be subject to export controls in various countries or regions, including without limitation, the United States, European Union, United Kingdom and/or other member countries of the Wassenaar Arrangement. Please consult your professional legal or compliance expert or local government authorities for any necessary export license requirements if you intend to transfer, export, re-export the thermal series products between different countries.

## ▪ Specification

<b>System</b>	
Operation system	Linux
<b>Temperature measurement</b>	
Temperature range	30 °C to 45 °C (86 °F to 113 °F)
Sensor	Vanadium Oxide uncooled sensor
Resolution	120 × 160
Frame rate	25 fps
Measurement accuracy	0.1 °C
Measurement deviation	± 0.5 °C, without black body calibration
Measuring distance	0.3 to 3 m
<b>Display</b>	
Resolution	600 × 1024
Size	7-inch
Type	Touch screen
<b>Video</b>	
Pixel	2 MP
Lens	Dual-lens
Video standard	PAL (Default)/NTSC
<b>Network</b>	
Wired network	Support 10/100/1000 Mbps self-adaptive
<b>Interface</b>	
Alarm input	2
Alarm output	1
USB	1 type-C (for module)
Audio Output Interface	1 (3.5 mm)
Network interface	1
RS-485	1 RS-485. Supports OSDP protocol version V2.1.7, Baud 19200
Wiegand	1
Lock output	1
Exit button	1
Door contact input	1
TAMPER	1
<b>Capacity</b>	
User capacity	100,000
Fingerprint capacity	10,000 (With fingerprint module)
Card capacity	100,000
Face capacity	100,000
Event capacity	150,000
<b>Authentication</b>	
Face recognition accuracy rate	≥ 99%
Card type	M1 card, DESfire card, Felica card
Card reading distance	0 to 3 cm
Face recognition duration	< 0.2 s per person
Face recognition distance	0.3 to 3 m

General	
Power supply	12 VDC to 24 VDC/2 A
Working temperature	-30 °C to 60 °C (-22 °F to 140 °F)
Working humidity	0 to 90% (no condensing)
Power consumption	≤ 10 W
Dimensions	110.5 mm × 247.7 mm × 24 mm (4.35" × 9.75" × 0.94")
Weight	Gross Weight : 1.06 kg (2.34 lb)
	Net Weight : 0.57 kg (1.26 lb)
Language	English, Spanish (South America), Arabic, Thai, Indonesian, Russian, Vietnamese, Brazilian Portuguese, Japanese, Korean, Chinese Traditional, French, Turkish, Kazakh and Uzbek.
Application environment	Indoor and windless environment use only
Function	
Configuration via Web browser	Support
Hik-Connect	Support
Two-way audio	Support
Barcode recognition	Support (with peripheral module)
QR code recognition	Support (with peripheral module)
Time synchronization	Support
Face mask recognition	Support
Face recognition	Support
Face anti-spoofing	Support
Live view	Support
Audio prompt	Support

## ▪ Dimension



▪ Accessory

▪ Optional

DS-KAB673-A	DS-KAB673-EDB	DS-KAB673-FBQR	DS-KAB673-BQR	DS-KAB673-FB
				
<p data-bbox="165 1686 331 1715">DS-KAB673-B</p> 				

# See Far, Go Further



[www.hikvision.com](http://www.hikvision.com)  
[support@hikvision.com](mailto:support@hikvision.com)

