

DS-MCW406**Linux Economical Wi-Fi Body Camera**

- 2688*1520 2K HD recording
- IR function to recognize the facial features in the captured picture even in dim environment
- Realtime status transmitted to central platform via Wi-Fi connection (only for DS-MCW406/64G/GPS/WIFI(O-STD) and DS-MCW406/64G/GPS/WIFI(NS(O-STD))
- Small size, light weight, and convenient to carry.

▪ Specification

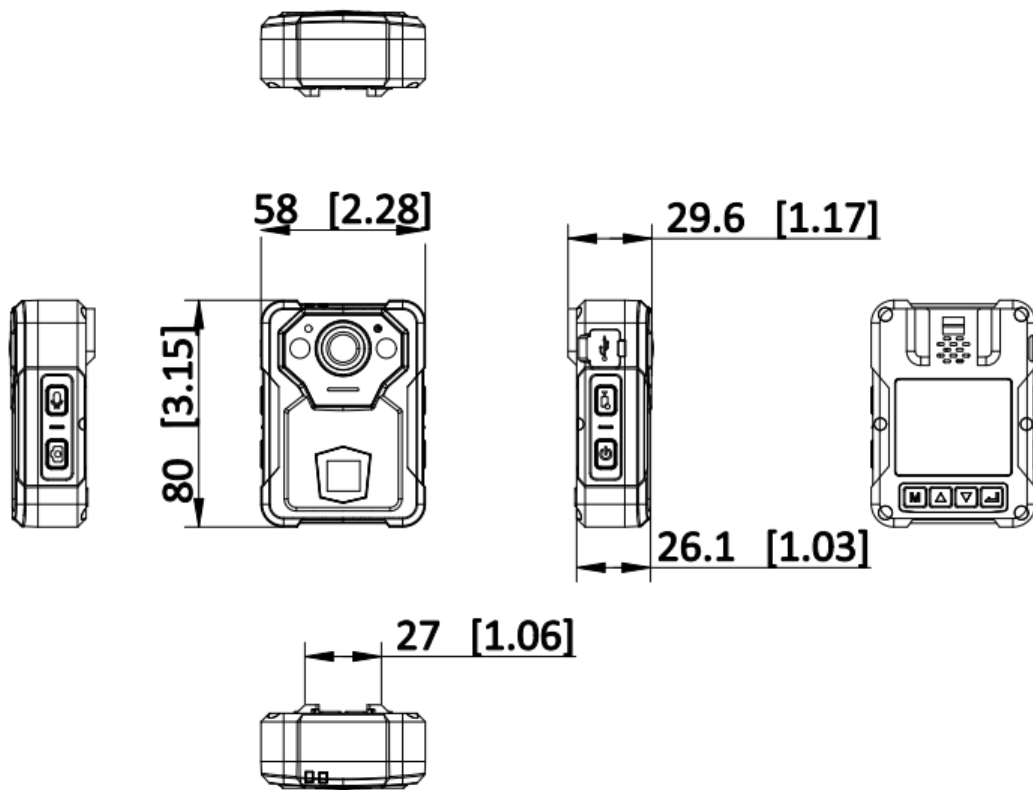
Model		DS-MCW406
CPU	CPU	Single core, 32 bit, Main frequency: 0.96 GHz
	Image Sensor	1/3" progressive scan CMOS
Camera	Max. Resolution	2688 × 1520
	Min. Illumination	Color: 0.07 Lux@ (F2.0, AGC ON), 0 Lux with supplement light
	Day & Night	Switch IR Cut Filter Automatically
	Zoom	4x Digital
Lens	Focal Length	2.4 mm fixed lens
	FOV	Horizontal FOV: 129° Vertical FOV: 70° Diagonal FOV: 140°
	Aperture	F2.0
Video	Video Format	PS, MP4
	Pre-record & Post-record	Pre-record: 10 s; Post-record: 60 s
	Sub Stream	30 fps (1280 × 720, 720 × 576)
	Video Compression	H.264, H.265
	Main Stream	60 Hz: 30 fps (2688 × 1520, 1920 × 1080, 1280 × 720, 720 × 576)
Audio	Audio Compression for Video Recording	G722_1,AAC
	Audio Compression for Audio Recording	PCM
	Audio Compression for Group Intercom	G711_A,G711_MU,G722_1
	Audio Bit Rate	G711_A(64 kbps),G711_MU(64 kbps),G722_1(16 kbps),AAC(64 kbps),PCM(128 kbps)
Image	Image Format	JPEG
	Image Resolution	5 MP, 16 MP, 30 MP, 40 MP
Image Stabilization Algorithm	Image Stabilization Algorithm	Not supported
Screen	Screen Size	1.77"

	Display Resolution	128 × 160
	Screen Brightness	Typical value: 400 cd/m ²
	Touchscreen	Not supported
Storage	RAM	128 MB
	ROM	Default 64 GB, 128/256 GB optional
IR	IR Range	Up to 10 m
	IR Wavelength	850 nm
Wireless Network	Wi-Fi Frequency Band	2.412 to 2.472 GHz
	Bluetooth	Not supported
	Wi-Fi Protocol	802.11 a/b/g/n
	Positioning Mode	GPS
	NFC	Not supported
Network	Protocol	HTTPS, RTSP, NTP, FTP
	API	ONVIF (PROFILE S, PROFILE G, PROFILE T), ISAPI, SDK, ISUP
Security	Watermark	Supported
Interface	Audio Type	1 built-in mic(s), 1 speaker(s)
	USB	USB 2.0
	Indicator	2 Indicator(s) for Charging/Working/Recording/Exception
	Button	Power, Recording, Audio recording, Picture capture, Menu, Up, Down, Enter
	Charging Interface	Type-C
Smart Functions	Smart Functions	Not supported
Group Intercom	Group Intercom	Not supported
General	Operating Condition	-20 °C to 55 °C (-4 °F to 131 °F). Humidity 95% or less (non-condensing)
	Power	5 VDC, 2.0 A, max. 10 W
	Dimension	85 mm × 59 mm × 30 mm (3.4" × 2.3" × 1.2")
	Weight	125 g (without mounting) (0.27 lb.)
	Operating System	Linux
	Client	Hik-Connect, HikCentral Pro, HikCentral Master Lite
	MIC	Supported
	Speaker	1 Built-in speaker, Max. power consumption: 1 W, Max. sound pressure level: 87dB (10 cm)
	Vibration Motor	Not supported
	Gyroscope	Not supported
Battery	Battery Type	Lithium-ion battery, integral

	Capacity	2500 mAh
	Charging Time	≤ 3 h
	Battery Duration	Up to 12 h in 720p resolution ¹
Approval	RF	EN 300 328 V2.1.1(BT or 2.4G); EN 62311:2008(BT or 2.4G);
	EMC	CE-EMC: EN 55032: 2015, EN 61000-3-2: 2019, EN 61000-3-3: 2013, EN 50130-4: 2011 +A1: 2014
	Safety	CB: IEC 62368-1: 2014+A11, IEC 62368-1: 2018 CE-LVD: EN 62368-1: 2014/A11: 2017, EN IEC 62368-1: 2020+A11: 2020 CE-LVD: EN 62368-1: 2014/A11: 2017
	Environment	CE-RoHS: 2011/65/EU, WEEE: 2012/19/EU, Reach: Regulation (EC) No 1907/2006
	Protection	IP67: IEC 60529-2013
Drop Test	Drop Test	MIL-STD-810G, 2 m drop test
Warranty	Warranty	2 years for the device without battery, 1 year for the battery

1: This is a basic estimation of battery working life only when recording is on. Additional power consumption should be considered when IR, GPS, and/or network connection is on.

▪ Dimension



Unit: mm [inch]

SCALE	1:1
-------	-----

▪ Accessory

▪ Optional

DS-MH1710-N1 23 Series Body Camera Shoulder Clip	DS-MH1721 Oblique shoulder Harness	DS-MH1717 Body Camera -Magnetic Clip	DS-MH1712 Clip of Body Camera	DS-MH1716 Body Camera -Alligator clip
DS-MH1715 body camera -wearable clip	DS-MH1711 Body Camera Chest Harness	DS-MH1710-N1-M G Metal clip	DS-MH1710-N1-S Body Camera Metal Clip	DS-MH1310-M1 Body Camera Battery



See Far, Go Further



www.hikvision.com
support@hikvision.com

