

ISD-ST204D-DHV Intelligent security analyzer



- Intelligent recognition technology is a deep learning recognition algorithm with full independent intellectual property rights, which realizes the integration of intelligent recognition algorithm and X-ray imaging software, and achieves better recognition effect
- 4-ch network camera input. Supports the correlating passenger and package, and operator analysis
- Data storage supports local storage, view and playback of the images and alarm information, realizing playback and tracing of security check information and other applications. It has large storage capacity, supports millions of pictures, and defaults to one month of video recording (6 channels and 4 meters fixed rate)
- The security network supports the connection of multi-functional security check machines from mainstream manufacturers and the real-time uploading platform of security data. The platform can combine video surveillance to realize information fusion
- Customs users requirements with uploading samples to the AI platform and the platform inverted mold training to obtain the exclusive identification model and issue the algorithm

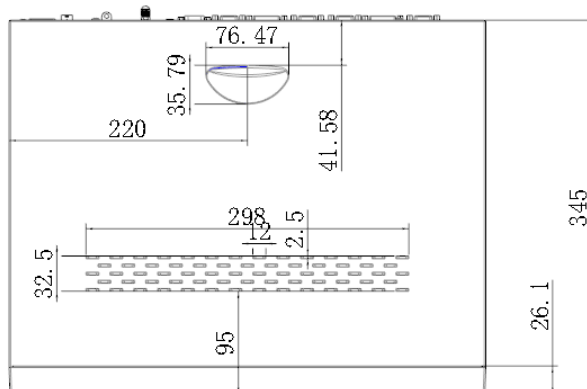
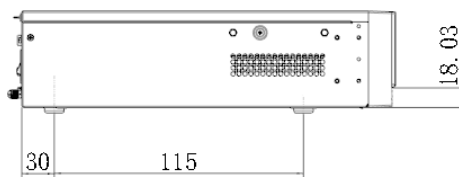
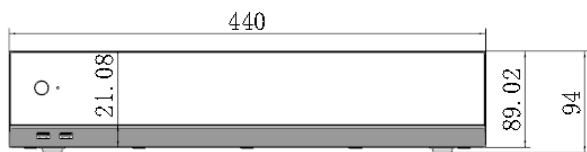
▪ Specification

Model		ISD-ST204D-DHV
Dimension Parameters	Appearance and Dimension	440mm x 90mm x 340mm (W x H x D)
Specification Parameters	Operating Temperature	0°C to 55°C
	Weight	6.6kg
	Operating Humidity	10% to 90%(No Condensation)
	Power	AC110~240V (+10%~-15%) , 50Hz±3Hz
	Consumption	≤50 W
Device Interface	Network Interface	7
	USB Interface	2
	Video Input	VGA/HDMI:2 Groups (HDMI has the priority)
	Video Output	VGA/HDMI:2 Groups
	Alarm Input	2 ch
	Alarm Output	3 ch
	HDD	Built-in 4 TB 3.5", SATA (12TB extendable)
	Serial Port	1, Standard RS-232 full duplex serial port 1, Standard RS-485 half-duplex serial port
Performance Parameters	Network Camera	4-ch IPC
Communication Protocol	Protocol	eHome, HIKSDK
Smart Analysis	Prohibited Goods Classification	50 classes in 15 major types
	Prohibited Goods Type	Gun, cutter, spray irrigation, bottle of liquid, umbrella, battery, laptop, lighter, and fireworks
	Analysis Channel	1 ch Front angle of view, 1 ch side of view

▪ Available Model

ISD-ST204D-DHV(V2) Intelligent Security Check Analyzer

▪ Dimension



Headquarters

No.555 Qianmo Road, Binjiang District,
Hangzhou 310051, China
T +86-571-8807-5998
www.hikvision.com



Follow us on social media to get the latest product and solution information.

