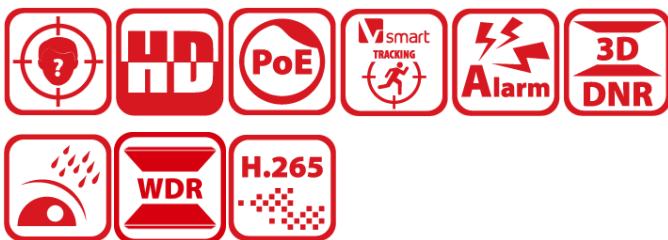


## DS-2DF7C445IXR-AEL(T5) 7C Series 4 MP 45X DarkFighter IR Network Speed Dome



Hikvision DS-2DF7C445IXR-AEL(T5) 4 MP 45 × IR Network Speed Dome adopts 1/1.8" progressive scan CMOS chip. With the 45 × optical zoom lens, the camera offers more details over expansive areas. This series of cameras can be widely used for wide ranges of high-definition, such as rivers, forests, roads, railways, airports, ports, squares, parks, scenic spots, stations and large venues, etc.

- 1/1.8" Progressive Scan CMOS
- High quality imaging with 4 MP resolution
- Excellent low-light performance with DarkFighter technology
- 45× optical zoom and 16× digital zoom provide close up views over expansive areas
- 120 dB WDR, 3D DNR, HLC, Smart IR
- Expansive night view with up to 300 m IR distance
- Supports rapid focus
- Water and dust resistant (IP66)

## ▪ Specification

Camera	
Image Sensor	1/1.8" progressive scan CMOS
Max. Resolution	2560 × 1440
Min. Illumination	Color: 0.005 Lux @ (F1.5, AGC ON), B/W: 0.0005 Lux @ (F1.5, AGC ON), 0 Lux with IR
Shutter Speed	1/1 s to 1/30,000 s
Day & Night	IR cut filter
Zoom	45 × optical, 16 × digital
Slow Shutter	Yes
Lens	
Focal Length	5.9 to 265.5 mm
FOV	Horizontal field of view : 60.2° to 1.7° Vertical field of view : 35.2° to 1° Diagonal field of view : 67.4° to 1.8 °
Focus	Auto, semi-auto, manual, rapid focus
Aperture	Max. F1.5
Zoom Speed	Approx. 8.5 s
Illuminator	
Supplement Light Type	IR
Supplement Light Range	Up to 300 m
PTZ	
Movement Range (Pan)	360°
Movement Range (Tilt)	-15° to 90° (auto flip)
Pan Speed	Pan speed: configurable from 0.1° to 160°/s; preset speed: 240°/s
Tilt Speed	Tilt speed: configurable from 0.1° to 120°/s, preset speed 200°/s
Proportional Pan	Yes
Presets	300
Preset Freezing	Yes
Patrol Scan	8 patrols, up to 32 presets for each patrol
Pattern Scan	4 pattern scans, record time over 10 minutes for each scan
Park Action	Preset, pattern scan, patrol scan, auto scan, tilt scan, random scan, frame scan, panorama scan
3D Positioning	Yes
PTZ Status Display	Yes
Scheduled Task	Preset, pattern scan, patrol scan, auto scan, tilt scan, random scan, frame scan, panorama scan, dome reboot, dome adjust, aux output
Power-off Memory	Yes
Video	
Main Stream	50 Hz: 25 fps (2560 × 1440, 1920 × 1080, 1280 × 960, 1280 × 720), 60 Hz: 30 fps (2560 × 1440, 1920 × 1080, 1280 × 960, 1280 × 720)
Sub-Stream	50 Hz: 25 fps (704 × 576, 640 × 480, 352 × 288); 60 Hz: 30 fps (704 × 480, 640 × 480, 352 × 240)
Third Stream	50 Hz: 25 fps (1920 × 1080, 1280 × 960, 1280 × 720, 704 × 576, 640 × 480, 352 × 288); 60 Hz: 30 fps (1920 × 1080, 1280 × 960, 1280 × 720, 704 × 480, 640 × 480, 352 × 240)

Video Compression	Main stream: H.265+/H.265/H.264+/H.264 Sub-stream: H.265/H.264/MJPEG Third stream: H.265/H.264/MJPEG
Video Bit Rate	32 Kbps to 16384 Kbps
H.264 Type	Baseline profile, main profile, high profile
H.265 Type	Main profile
Scalable Video Coding (SVC)	H.264 and H.265 encoding
Region of Interest (ROI)	8 fixed regions for each stream
<b>Audio</b>	
Audio Compression	G.711alaw, G.711ulaw, G.722.1, G.726, MP2L2, PCM
Audio Bit Rate	MP2L2: 32 kbps, 40 kbps, 48 kbps, 56 kbps, 64 kbps, 80 kbps, 96 kbps, 112 kbps, 128 kbps, 144 kbps, 160 kbps
<b>Network</b>	
Protocols	IPv4/IPv6, HTTP, HTTPS, 802.1X, QoS, FTP, SMTP, UPnP, SNMP, DNS, DDNS, NTP, RTSP, RTCP, RTP, TCP/IP, IGMP, ICMP, DHCP, PPPoE, Bonjour, SRTP
API	Open Network Video Interface (Profile S, Profile G, Profile T), ISAPI, SDK
User/Host	Up to 32 users. 3 user levels: administrator, operator, and user
Security	Password protection, complicated password, HTTPS encryption, 802.1X authentication, watermark, IP address filter, control timeout settings, security audit log, TLS 1.2, host authentication (MAC address)
Network Storage	NAS (NFS, SMB/CIFS), ANR
Client	iVMS-4200, HikCentral, Hik-Connect
Web Browser	IE11, Chrome 57.0+, Firefox 52.0+, Safari 11+
<b>Image</b>	
Image Parameters Switch	Yes
Image Settings	Saturation, brightness, contrast, sharpness, gain, and white balance adjustable by client software or web browser
Wide Dynamic Range (WDR)	120 dB
SNR	≥ 52 dB
Defog	Digital defog
Image Stabilization	EIS (Built-in gyroscope to improve EIS performance)
Image Enhancement	BLC, HLC, 3D DNR
Privacy Mask	24 programmable polygon privacy masks, mask color or mosaic configurable
Regional Focus	Yes
Regional Exposure	Yes
<b>Interface</b>	
Ethernet Interface	1 RJ45 10M/100M self-adaptive Ethernet port
On-board Storage	Built-in memory card slot, support microSD/microSDHC/microSDXC card, up to 256 GB
Audio	1 input (line in), max. input amplitude: 2-2.4 vpp, input impedance: 1 KΩ ± 10%; 1 output (line out), line level, output impedance: 600 Ω
Alarm	7 inputs, 2 outputs
RS-485	1 RS-485 (Half duplex, HIKVISION, Pelco-P, Pelco-D, self-adaptive)
<b>Event</b>	
Basic Event	Motion detection, video tampering alarm, exception, alarm input and output

Smart Event	Line crossing detection, intrusion detection, region entrance detection, region exiting detection, unattended baggage detection, object removal detection, audio exception detection
Linkage	Upload to FTP/NAS/memory card, notify surveillance center, send email, trigger alarm output, trigger recording, and PTZ actions (such as preset, patrol scan, pattern scan)
Smart Tracking	Manual tracking, auto-tracking
<b>Deep Learning Function</b>	
Face Capture	Detects up to 15 faces simultaneously. Supports detecting, capturing, grading, selecting of face in motion, and outputs the best face picture
<b>General</b>	
Power	24 VAC, 3.0 A, 50/60 Hz & Hi-PoE, 42.5 to 57 VDC, 1.41 A (Max. 40 W, includes max. 16 W for IR and max. 10 W for heater)
Dimension	∅ 226 mm × 354 mm (∅ 8.90" × 13.94")
Weight	Approx. 5.0 kg (11.02 lb.)
General Function	Mirror, password protection
Operating Condition	-40 °C to 70 °C (-40 °F to 158 °F). Humidity 95% or less (non-condensing)
<b>Approval</b>	
EMC	FCC SDoC (47 CFR Part 15, Subpart B); CE-EMC (EN 55032:2015, EN 61000-3-2:2019, EN 61000-3-3:2013, EN 50130-4:2011+A1:2014); RCM (AS/NZS CISPR 32:2015); ICVoC (ICES-003: Issue 6, 2019); KC (KN 32:2015, KN 35:2015)
Safety	UL (UL 62368-1) CB (IEC 60950-1:2005 + Am 1:2009 + Am 2:2013, IEC 62368-1:2014); CE-LVD (EN 62368-1:2014+A11:2017), BIS (IS 13252(Part 1):2010+A1:2013+A2:2015); LOA (SANS IEC60950-1)
Environment	CE-RoHS (2011/65/EU); WEEE (2012/19/EU); Reach (Regulation (EC) No 1907/2006)
Protection	IP66 (IEC 60529-2013), Lightning Protection, Surge Protection and Voltage Transient Protection, ±6kV Line to Gnd, ±3kV Line to Line, IEC61000-4-5

## ▪ DORI

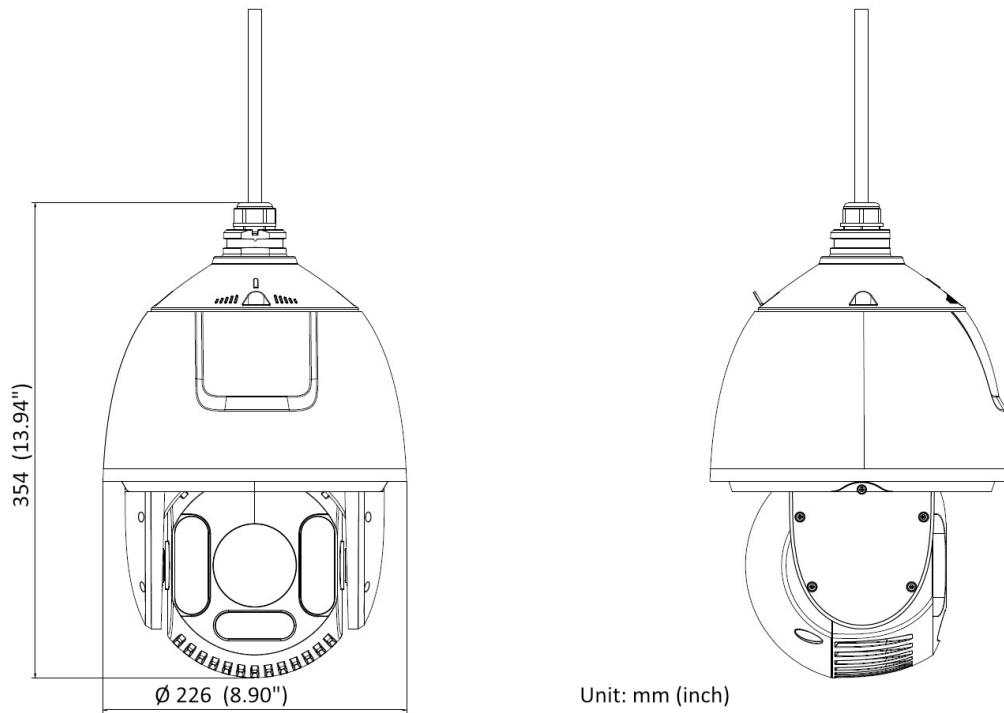
The DORI (detect, observe, recognize, identify) distance gives the general idea of the camera ability to distinguish persons or objects within its field of view. It is calculated based on the camera sensor specification and the criteria given by EN 62676-4:2015.

DORI	Detect	Observe	Recognize	Identify
Definition	25 px/m	63 px/m	125 px/m	250 px/m
Distance (Tele)	4020m	1595.2m	804m	402m

## ▪ Available Model

DS-2DF7C4451XR-AEL(T5)

## ▪ Dimension





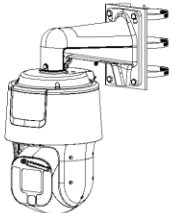
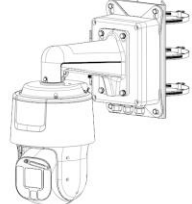

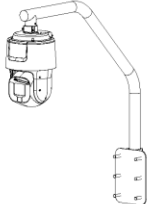
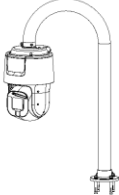



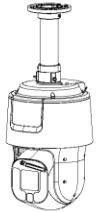
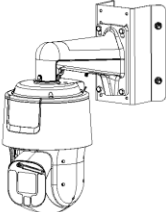
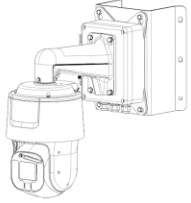
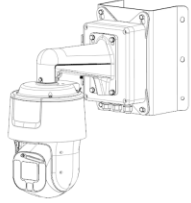
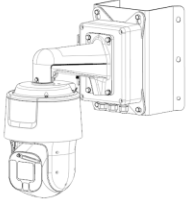
▪ **Accessory**

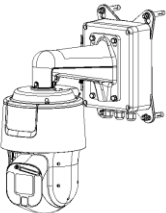
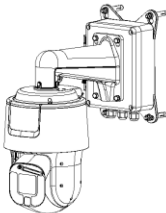
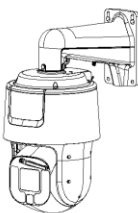
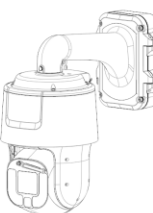
▪ **Optional**

DS-1673ZJ	DS-4650ZJ-WC	DS-1684ZJ	DS-1660ZJ	DS-1667ZJ
DS-1276ZJ	DS-1662ZJ	DS-1619ZJ	DS-1604ZJ-pole	DS-1674ZJ
DS-1604ZJ-BOX-CO RNER	DS-1663ZJ	DS-1604ZJ-box	DS-1602ZJ	DS-4660ZJ-WC

				
<b>DS-1604ZJ</b>	<b>DS-1604ZJ-BOX-POLE</b>	<b>DS-1661ZJ</b>	<b>DS-1604ZJ-corner</b>	
	<b>LE</b>			
				

▪ **Installation Methods**

<b>Horizontal Pole Mounting</b> DS-1673ZJ+DS-1661ZJ	<b>Vertical Pole Mounting</b> DS-4650ZJ-WC+DS-1674ZJ+DS-1602ZJ	<b>Vertical Pole Mounting</b> DS-1684ZJ+DS-1602ZJ	<b>Vertical Pole Mounting</b> DS-1604ZJ-pole	<b>Vertical Pole Mounting</b> DS-1604ZJ-BOX-POLE
				
<b>Gooseneck Mounting</b> DS-1660ZJ	<b>Gooseneck Mounting</b> DS-1619ZJ	<b>Pendant Mounting</b> DS-1667ZJ	<b>Pendant Mounting</b> DS-1662ZJ	<b>Pendant Mounting</b> DS-1663ZJ
				
<b>Pendant Mounting</b> DS-1661ZJ	<b>Corner Mounting</b> DS-1276ZJ+DS-1602ZJ	<b>Corner Mounting</b> DS-1604ZJ-BOX-CORNER	<b>Corner Mounting</b> DS-4660ZJ-WC+DS-1602ZJ+DS-1674ZJ	<b>Corner Mounting</b> DS-1604ZJ-corner
				

<b>Junction Box DS-1674ZJ+DS-1602ZJ</b>	<b>Wall Mounting DS-1604ZJ-box</b>	<b>Wall Mounting DS-1602ZJ</b>	<b>Wall Mounting DS-1604ZJ</b>
			

# See Far, Go Further



[www.hikvision.com](http://www.hikvision.com)  
[support@hikvision.com](mailto:support@hikvision.com)

