

Face recognition terminal adopts deep learning algorithm, which helps to recognize the face faster with higher accuracy. It also supports multiple authentication modes: face/card authentication, etc. It can be applied in multiple scenarios, such as buildings, enterprises, financial industries, and other important areas.

- Max.1500 faces capacity, and Max.3000 cards
- Face Recognition Terminal, 4.3-inch LCD touch screen,2 Mega pixel wide-angle lens,Built-in M1 card reading module
- Two-way audio with client software, indoor station, and main station; Supports TCP/IP, Wi-Fi
- Supports ISAPI, ISUP5.0
- Configuration via the web client
- Face recognition. Distance: 0.3 m to 1.5 m
- Duration □ 0.2 s/User
- Accuracy rate ≥ 99%
- Supports mask recognition
- Supports Push SDK.
- Supports the following SIP servers: ASTERISK, 3CX, ELASTIX, miniSipServer, Brekeke, OpenSIPs, Kamailio.
- Supports face duplicate check, preventing multiple people from using the same face.
- Supports attendance-only function.

## ■ Specification

<b>Display</b>	
Screen size	4.3 inch
Operation method	Capacitive touch screen
Type	LCD
<b>Video</b>	
Lens	2
Resolution	2 MP
<b>Audio</b>	
Audio quality	Noise suppression and echo cancellation
<b>Network</b>	
Wired network	Support
Wi-Fi	Support, 2.4 G, 802.11b/g/n
<b>Interface</b>	
Network interface	1 RJ-45, 10/100 M self-adaptive
Lock control	1
Exit button	1
Door contact input	1
TAMPER	1
RS-485	1 RS-485 (Half duplex, HIKVISION)
Wiegand	1 Wiegand(Hik 26bit,Hik 34bit)
USB	1
<b>Authentication</b>	
Card type	M1 card
Card reading frequency	13.56 MHz
<b>General</b>	
Power supply	12 VDC, 1 A (power adapter included)
Working temperature	-30 °C to 60 °C (-22 °F to 140 °F)
Working humidity	0 to 90% (No condensing)
Dimensions	91.3 mm × 181.3 mm × 24.5 mm (3.59" × 7.14" × 0.96")
Installation	Wall mounting
Weight	Gross weight: 0.93 kg (2.05 lb) Net weight: 0.36 kg (0.79 lb)
Language	English, Spanish (South America), Arabic, Thai, Indonesian, Russian, Vietnamese, Brazilian Portuguese, Japanese, Korean, Chinese Traditional, French, Turkish, Kazakh and Uzbek.
Platform	Hik-ProConnect and HikCentral Professional
<b>Function</b>	
Face anti-spoofing	Support
Audio prompt	
Time synchronization	

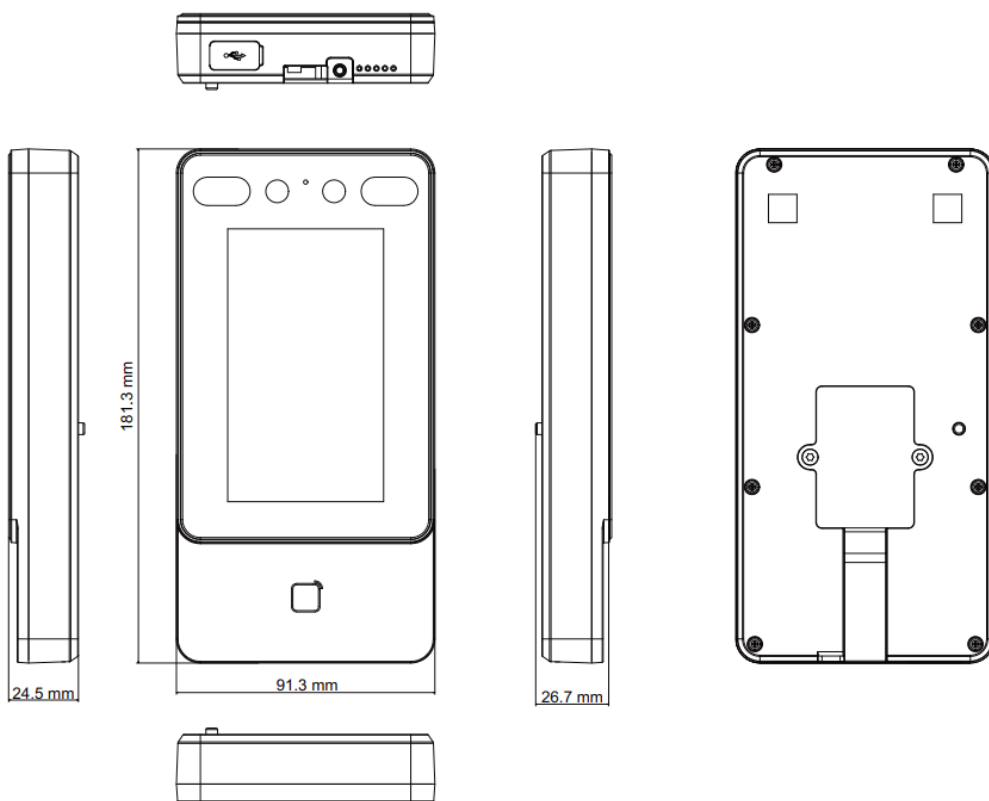
## ■ Available Model

DS-K1T342MWX

DS-K1T342MWX/Korea/Kocom

DS-K1T342MWX/Brazil

## ■ Dimension



■ Accessory

■ Optional

DS-KAB6-ZU3	DS-KAB34X-S1	DS-KAB6-ZU1	DS-KAB671-P2	DS-KAB6-W1
				



© F  
ex

