

DS-2CD1T83G0-I(UF) 4K Fixed Bullet Network Camera



- High quality imaging with 8 MP resolution
- Clear imaging against strong back light due to 120 dB WDR technology
- Efficient H.265+ compression technology
- Water and dust resistant (IP67)
- Easy installation with Power over Ethernet (PoE) technology
- -IUF: Built-in microphone for real-time audio security
- -IUF: Support on-board storage up to 256 GB (SD card slot)

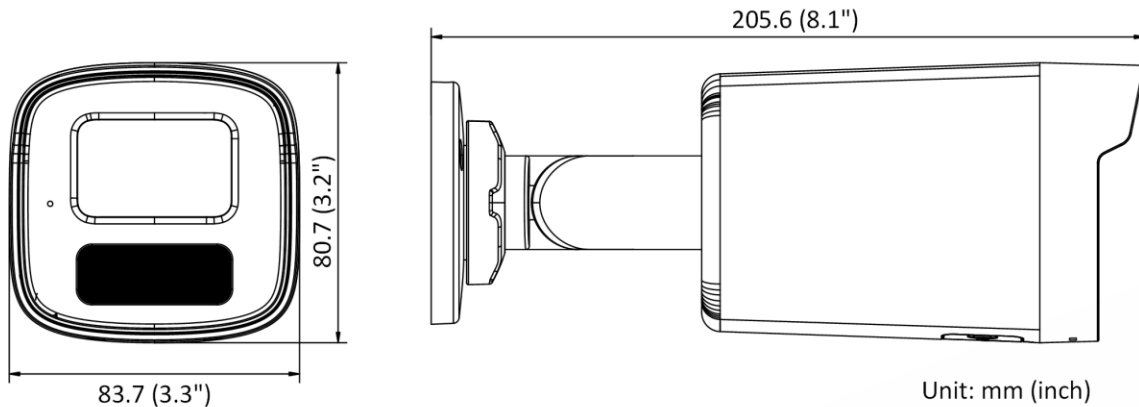
▪ Specification

Camera	
Image Sensor	1/2.8" Progressive Scan CMOS
Max. Resolution	3840 × 2160
Min. Illumination	4 mm: Color: 0.01 Lux @ (F2.0, AGC ON), B/W: 0 Lux with IR 6 mm: Color: 0.01 Lux @ (F1.6, AGC ON), B/W: 0 Lux with IR
Shutter Time	1/3 s to 1/100,000 s
Day & Night	IR cut filter
Angle Adjustment	Pan: 0° to 360°, tilt: 0° to 180°, rotate: 0° to 360°
Lens	
Lens Type	Fixed focal lens, 4 and 6 mm optional
Focal Length & FOV	4 mm, horizontal FOV 86°, vertical FOV 46°, diagonal FOV 102° 6 mm, horizontal FOV 53°, vertical FOV 29°, diagonal FOV 62°
Lens Mount	M12
Iris Type	Fixed
Aperture	4 mm, F2.0 6 mm, F1.6
DORI	
DORI	4 mm, D: 106 m, O: 42 m, R: 21 m, I: 11 m 6 mm, D: 169 m, O: 67 m, R: 34 m, I: 17 m
Illuminator	
Supplement Light Type	IR
Supplement Light Range	Up to 50 m
Smart Supplement Light	Yes
IR Wavelength	850 nm
Video	
Main Stream	50 Hz: 12.5 fps (3840 × 2160), 20 fps (2592 × 1944), 25 fps (2688 × 1520, 1920 × 1080, 1280 × 720) 60 Hz: 15 fps (3840 × 2160), 20 fps (2592 × 1944), 30 fps (2688 × 1520, 1920 × 1080, 1280 × 720)
Sub-Stream	50 Hz: 25 fps (1280 × 720, 640 × 480, 640 × 360) 60 Hz: 30 fps (1280 × 720, 640 × 480, 640 × 360)
Video Compression	Main stream: H.265+/H.264+/H.265/H.264 Sub-stream: H.265/H.264/MJPEG
Video Bit Rate	32 Kbps to 16 Mbps
H.264 Type	Baseline Profile/Main Profile/High Profile
H.265 Type	Main Profile
Bit Rate Control	CBR/VBR
Region of Interest (ROI)	1 fixed region for main stream
Audio	
Audio Type	-IUF: Mono sound
Environment Noise Filtering	-IUF: Yes

Audio Sampling Rate	-IUF: 8 kHz/16 kHz
Audio Compression	-IUF: G.711ulaw/G.711alaw/G.722.1/G.726/MP2L2/PCM/AAC
Audio Bit Rate	-IUF: 64 Kbps (G.711 ulaw)/64 Kbps (G.711 alaw)/16 Kbps (G.722.1)/16 Kbps (G.726)/32 to 160 Kbps (MP2L2)/16 to 64 Kbps (AAC)
Network	
Security	Password protection, complicated password, HTTPS encryption, 802.1X authentication (EAP-MD5), watermark, IP address filter, basic and digest authentication for HTTP/HTTPS, WSSE and digest authentication for Open Network Video Interface, RTP/RTSP over HTTPS, security audit log, TLS 1.2, host authentication (MAC address)
Simultaneous Live View	Up to 6 channels
API	Open Network Video Interface (Profile S), ISAPI, SDK, -UF: Open Network Video Interface (Profile G)
Protocols	TCP/IP, ICMP, DHCP, DNS, DDNS, HTTP, HTTPS, RTP, RTSP, NTP, UPnP, IGMP, IPv6, UDP, QoS, Bonjour, FTP, SMTP
User/Host	Up to 32 users. 3 user levels: administrator, operator and user
Client	iVMS-4200, Hik-Connect
Web Browser	Plug-in required live view: IE 10, IE 11 Local service: Chrome 57.0+, Firefox 52.0+
Image	
Wide Dynamic Range (WDR)	120 dB
SNR	≥ 52 dB
Day/Night Switch	Day, Night, Auto, Schedule
Image Enhancement	BLC, HLC, 3D DNR
Image Settings	Rotate mode, saturation, brightness, contrast, sharpness, gain, white balance adjustable by client software or web browser.
Privacy Mask	4 regions of privacy mask
Interface	
Ethernet Interface	1 RJ45 10 M/100 M self-adaptive Ethernet port
On-Board Storage	-IUF: Built-in memory card slot, support microSD card, up to 256 GB
Built-in Microphone	-IUF: Yes
Reset Key	-IUF: Yes
Event	
Basic Event	Motion detection , video tampering alarm, exception
Linkage	Notify surveillance center, trigger recording, trigger capture, -UF: upload to memory card
General	
Power	12 VDC ± 25%, 0.5 A, max. 6 W, Ø5.5 mm coaxial power plug PoE: 802.3af, Class 3, 36 V to 57 V, 0.2 A to 0.15 A, max. 7.5 W
Material	Metal & Plastic
Dimension	83.7 mm × 80.7 mm × 205.6 mm (3.3" × 3.2" × 8.1")
Package Dimension	260 mm × 125 mm × 125 mm (10.2" × 4.9" × 4.9")
Weight	-I: Approx. 400 g (0.9 lb.) -IUF: Approx. 415 g (0.9 lb.)
With Package Weight	-I: Approx. 619 g (1.4 lb.) -IUF: Approx. 634 g (1.4 lb.)
Storage Conditions	-30 °C to 60 °C (-22 °F to 140 °F). Humidity: 95% or less (non-condensing)

Startup and Operating Conditions	-30 °C to 60 °C (-22 °F to 140 °F). Humidity: 95% or less (non-condensing)
Language	English, Ukrainian
General Function	Anti-flicker, heartbeat, mirror, password protection, password reset via e-mail
Approval	
EMC	FCC (47 CFR Part 15, Subpart B) CE-EMC (EN 55032:2015, EN 61000-3-2:2019, EN 61000-3-3:2013+A1:2019, EN 50130-4:2011+A1:2014) RCM (AS/NZS CISPR 32:2015) IC (ICES-003: Issue 7) KC (KN32:2015, KN35:2015)
Safety	UL (UL 62368-1) CB (IEC 62368-1:2014+A11) CE-LVD (EN 62368-1:2014/A11:2017) BIS (IS 13252 (Part 1):2010/IEC 60950-1:2005)
Environment	CE-RoHS (2011/65/EU) WEEE (2012/19/EU) Reach (Regulation (EC) No 1907/2006)
Protection	IP67 (IEC 60529-2013)

▪ Dimension

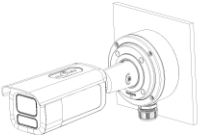
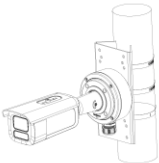
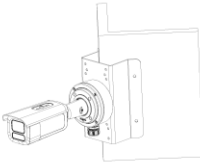


▪ Accessory

▪ Optional

DS-1280ZJ-XS	DS-1275ZJ-SUS	DS-1276ZJ-SUS

▪ Installation Methods

Junction Box DS-1280ZJ-XS	Vertical Pole Mounting DS-1275ZJ-SUS+DS-12 80ZJ-XS	Corner Mounting DS-1276ZJ-SUS+DS-12 80ZJ-XS
		

See Far, Go Further



www.hikvision.com
support@hikvision.com

