

DS-TMC407-EH(straight boom pole)**All-in-one E&E machine with capture unit, straight boom pole and LCD**

- **Highly integrated:** The device is integrated with fast-speed barrier gate (straight boom pole/curved boom pole/fence boom pole), smart capture camera, supplement light, LCD display, anti-fall radar, help button, voice prompt, and two-way audio. The all-in-one structure brings simple wiring and convenient debugging.
- **Quick pass:** The device is integrated with gear barrier gate, which features in high driving efficiency and stable performance. The boom pole can rise in high speed and fall in low speed to achieve quick pass.
- **Anti-vehicle following mode:** Supports anti-vehicle following mode via video and radar/loop. The boom pole can keep rising in vehicle queue scenario to solve the congestion.
- **High definition:** 4 MP HD camera with max. 2688 × 1520 resolution and 25 fps frame rate. High quality imaging with 1/3" progressive scan CMOS. 0.022 lux low illumination with clearer imaging at night.
- **Convenient debugging:** 3.1 to 6 mm motor-driven varifocal lens, and supports focus auto-adjustment. The device is convenient to debug, and can be applicable to more scenarios.
- **LCD:** 21.5 inch LCD can play image, video, and advertisement.
- **High quality supplement light:** Embedded with 9 bright LED lights, the device has smart supplement light technology, which supports supplement light control according to time and brightness, and satisfies requirements of different scenarios.
- **Two-way audio:** Supports pressing help button to realize real-time two-way audio with center and remote booth, which helps to quickly solve customer issues at entrance and exit.

▪ Specification

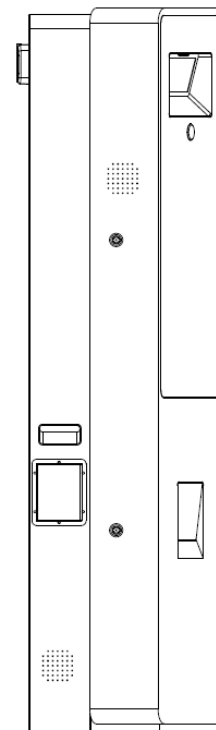
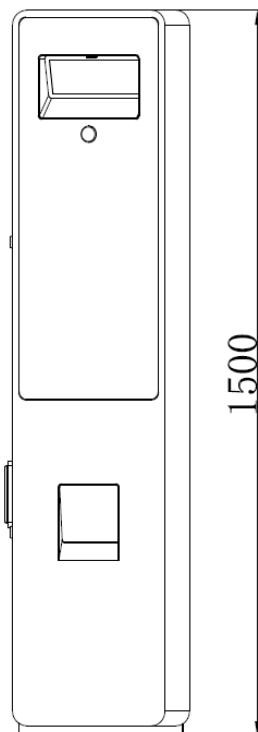
Main LCD	
Screen Dimensions	21.5 inch
Resolution	1080p
Panel Brightness	MAX: 1500 cd/m ²
Lens	
Lens Type	3.1 to 6 mm varifocal lens, motor-driven lens
Barrier Housing	
Barrier Housing Material	Cold rolled steel plate
Barrier Housing Thickness	2 mm
Barrier Gate General	
Rising/Falling Speed	3m octagonal pole Rising Speed: 0.9S(Default) Adjustable 0.9S, 1.2S, 2S Falling Speed: 3S(Default) Adjustable 1.5S, 2S, 3S 4m octagonal pole Rising Speed: 1.5S(Default) Adjustable 1.5S, 2S, 2.5S Falling Speed: 3.5S(Default) Adjustable 2.5S, 3S, 3.5S
Boom Pole Direction	Left/right direction
Supplement Light	
Supplement Light Type	IR Light, Warm White Light
LED Light Bead	9
Color Temperature	Warm White Light 3000 K
Capture Parameters	
Image Format	JPEG with configurable quality
Smart Recognition	ANPR, vehicle type recognition, vehicle logo recognition, sub-brand recognition
Image	
Image Settings	Saturation, brightness, contrast, white balance, AGC, and 3D noise reduction can be adjusted via the web browser.
Frame Rate	25 fps @ (2688 × 1520)
Network	
Protocol	TCP/IP, HTTP, DHCP, DNS, RTP, RTSP, NTP, FTP picture upload
Security	Heartbeat, password protection, NTP
Barrier Gate	
Running Noise	≤ 65 dB (A)
Boom Pole Length	3m/4m
Camera	
Max. Resolution	2688 × 1520
Sensor Type	1/3" Progressive Scan CMOS
Min. Illumination	Color: 0.022 Lux @ (F2.0, AGC ON) B/W: 0.011 Lux @ (F2.0, AGC ON)
Shutter	1/30 s to 1/100,000 s
Day/Night Switch	Supported
IR Cut Filter	Supported
Interface	
Alarm Input	3-ch triggered/alarm inputs
Alarm Output	2-ch relay outputs, supporting rising/falling of barrier gate boom pole

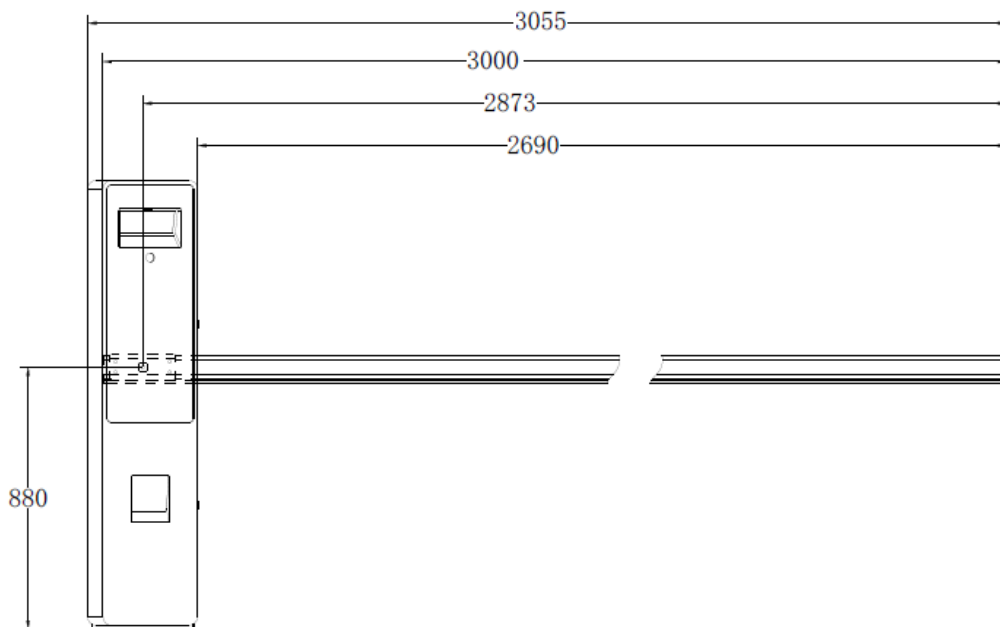
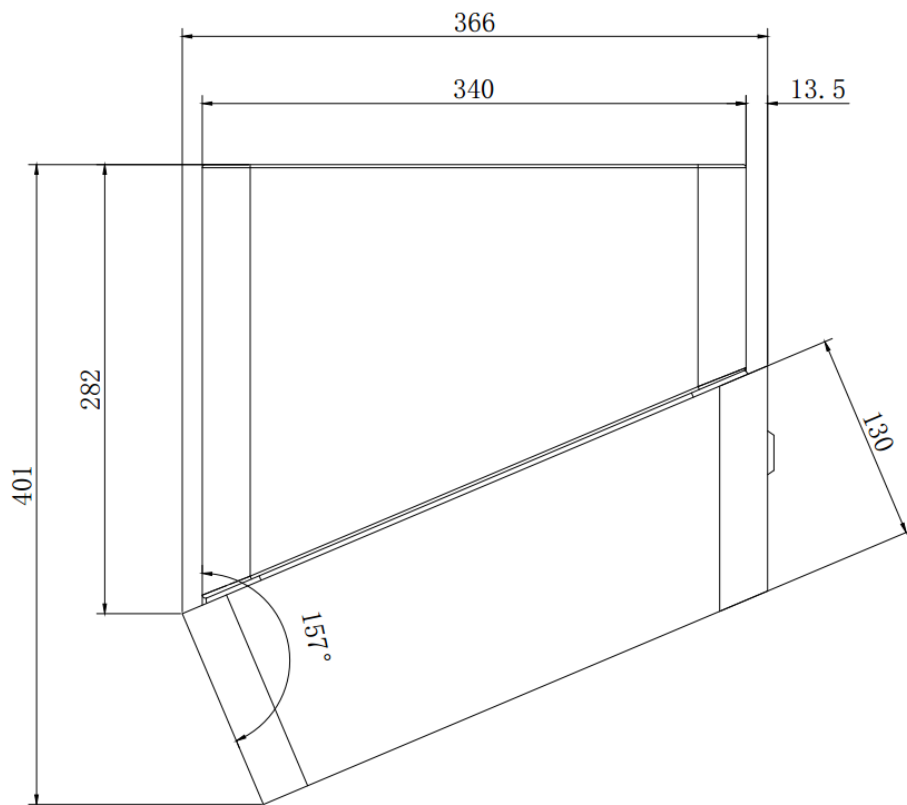
Network Interface	2 RJ45 10M/100M self-adaptive Ethernet interfaces
Serial Port	1 built-in RS-485 serial port, 1 built-in RS-232 serial port
Smart Function	
Supplement Light Control	Control according to brightness or time
General	
Working Temperature and Humidity	-30 °C to 70 °C (-22 °F to 158 °F); 90% or less (non-condensing)
Power Supply	220 V, 50 Hz
Power Consumption	350 W, 220 VAC
Protection	IP54
Weight	95 kg (209.4 lb.)
Remote Control Distance	≤ 30 m
Weight (with Package)	96.9 kg (213.6 lb.)
Lifespan	5,000,000

▪ **Key Component**

▪ **Typical Application**

▪ **Dimension**





- Accessory
- Optional

DS-TMG012-A1



See Far, Go Further



www.hikvision.com
support@hikvision.com

