

**DS-2CE78H0T-IT3E(C)**  
**5 MP PoC Fixed Turret Camera**



- High quality imaging with 5 MP, 2560 × 1944 resolution
- 2.8 mm and 3.6 mm fixed focal lens
- Up to 40 m IR distance for bright night imaging
- Water and dust resistant (IP67)

## ▪ Specification

Camera	
Image Sensor	5 MP CMOS
Max. Resolution	2560 (H) × 1944 (V)
Min. Illumination	0.01 Lux @ (F2.0, AGC ON), 0 Lux with IR
Shutter Time	PAL: 1/25 s to 1/50, 000 s NTSC: 1/30 s to 1/50, 000 s
Day & Night	ICR
Angle Adjustment	Pan: 0 to 360°, Tilt: 0 to 75°, Rotation 0 to 360°
Signal System	PAL/NTSC
Lens	
Lens Type	2.8 mm and 3.6 mm fixed focal lens
Focal Length & FOV	2.8 mm, horizontal FOV: 93°, vertical FOV: 75°, diagonal FOV: 124° 3.6 mm, horizontal FOV: 77°, vertical FOV: 57°, diagonal FOV: 103°
Lens Mount	M12
Image	
Image Parameters Switch	STD/HIGH-SAT
Image Settings	Brightness, Sharpness, Smart IR
Frame Rate	5 M @ 20 fps, 4 M @ 30 fps, 4 M @ 25 fps, 1080P @ 30 fps, 1080P @ 25 fps
Day/Night Mode	Auto/Color/BW (Black and White)
Wide Dynamic Range (WDR)	Digital WDR
Image Enhancement	DWDR, BLC, HLC, Global
Noise Reduction	2D DNR
White Balance	Auto/Manual
AGC	Yes
Interface	
Video Output	1 HD analog output
General	
Material	Front Cover: Plastic Main Body: Metal
Dimension	91.0 mm × Ø109.8 mm (3.58" × Ø4.32")
Weight	Approx. 326 g (0.72 lb.)
Operating Condition	-40 °C to 60 °C (-40 °F to 140 °F), humidity: 90% or less (non-condensation)
Communication	HIKVISION-C
Language	English
Power Supply	12 VDC ±25%/PoC.af *You are recommended to use one power adapter for one camera, and use 2-pin power supply for long-distance power supply.
Consumption	Max. 3 W
IR Range	Up to 40 m
Approval	
Protection	IP67

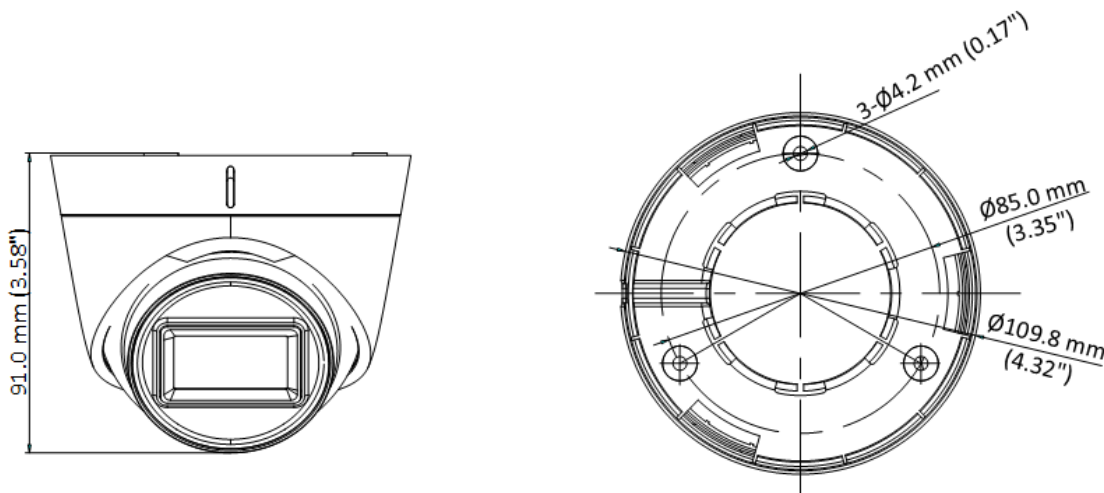
## ▪ Typical Application

Hikvision products are classified into three levels according to their anti-corrosion performance. Refer to the following description to choose for your using environment.

This model has MODERATE PROTECTION.

Level	Description
Top-level protection	Hikvision products at this level are equipped for use in areas where professional anti-corrosion protection is a must. Typical application scenarios include coastlines, docks, chemical plants, and more.
Moderate protection	Hikvision products at this level are equipped for use in areas with moderate anti-corrosion demands. Typical application scenarios include coastal areas about 2 kilometers (1.24 miles) away from coastlines, as well as areas affected by acid rain.
No specific protection	Hikvision products at this level are equipped for use in areas where no specific anti-corrosion protection is needed.

▪ **Dimension**



▪ **Accessory**

▪ **Optional**

DS-1281ZJ-S	DS-1280ZJ-TR13	DS-1272ZJ-110-TRS	DS-1280ZJ-S	DS-1275ZJ-SUS
<b>DS-1276ZJ-SUS</b>				



# See Far, Go Further



[www.hikvision.com](http://www.hikvision.com)  
[support@hikvision.com](mailto:support@hikvision.com)

