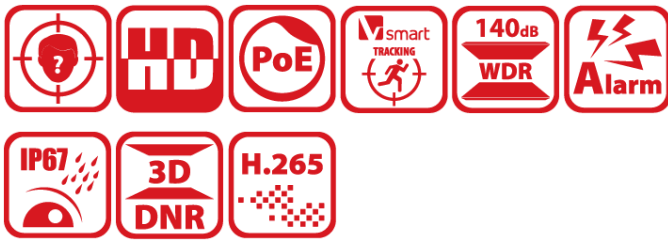


DS-2DF8225IX-AEL(T5) 8 Series 2 MP 25X DarkFighter IR Network Speed Dome



Hikvision DS-2DF8225IX-AEL(T5) 2MP 25× Network IR Speed Dome adopts 1/1.8" progressive scan CMOS chip. With the 25× optical zoom lens, the camera offers more details over expansive areas.

This series of cameras can be widely used for wide ranges of high-definition, such as the rivers, forests, roads, railways, airports, ports, squares, parks, scenic spots, stations and large venues, etc.

Hikvision has been dedicated to develop products with security since established.

Hikvision always follows security by design principle and has adopted many methods of security technologies into our product development lifecycle, including terminal security, data security, application security, network security, and privacy protection. In the meantime, the security technologies used by Hikvision are all in compliance with local applicable laws and safety regulations. These security measures could enhance product's cyber security defense capability and protect your devices as well as your data from malicious cyber attacks.

- 1/1.8" Progressive Scan CMOS
- High quality imaging with 2 MP resolution
- Excellent low-light performance with DarkFighter technology
- 25× optical zoom and 16× digital zoom provide close up views over expansive areas
- Expansive night view with up to 400 m IR distance
- Water and dust resistant (IP67) and vandal resistant (IK10)
- Supports face capture to detect, capture, grade, and select faces in motion
- Supports road traffic to detect vehicles

▪ Specification

| Camera | |
|------------------------|--|
| Image Sensor | 1/1.8" progressive scan CMOS |
| Min. Illumination | Color: 0.002 Lux @ (F1.5, AGC ON), B/W: 0.0002 Lux @ ((F1.5, AGC ON), 0 Lux with IR |
| Shutter Speed | 1/1 s to 1/30,000 s |
| Day & Night | IR cut filter |
| Zoom | 25x optical, 16x digital |
| Max. Resolution | 1920 × 1080 |
| Lens | |
| Focus | Auto, semi-auto, manual, rapid focus |
| Focal Length | 5.9 mm to 147.5 mm |
| Zoom Speed | Approx. 4.8 s (optical, wide-tele) |
| FOV | Horizontal field of view: 59.8° to 3.3° (wide-tele), Vertical field of view: 33.7° to 1.9° (wide-tele), Diagonal field of view: 65° to 3.8° (wide-tele) |
| Aperture | Max. F1.5 |
| Illuminator | |
| Supplement Light Type | IR |
| Supplement Light Range | Up to 400 m |
| Smart Supplement Light | Yes |
| PTZ | |
| Movement Range (Pan) | 360° |
| Movement Range (Tilt) | -20° to 90° (auto flip) |
| Pan Speed | Pan speed: configurable from 0.1° to 210°/s; preset speed: 280°/s |
| Tilt Speed | Tilt speed: configurable from 0.1° to 150°/s, preset speed 250°/s |
| Proportional Pan | Yes |
| Presets | 300 |
| Patrol Scan | 8 patrols, up to 32 presets for each patrol |
| Pattern Scan | 4 pattern scans, record time over 10 minutes for each scan |
| Power-off Memory | Yes |
| Park Action | Preset, pattern scan, patrol scan, auto scan, tilt scan, random scan, frame scan, panorama scan |
| 3D Positioning | Yes |
| PTZ Status Display | Yes |
| Preset Freezing | Yes |
| Scheduled Task | Preset, pattern scan, patrol scan, auto scan, tilt scan, random scan, frame scan, panorama scan, dome reboot, dome adjust, aux output |
| Video | |
| Main Stream | 50 Hz: 25 fps (1920 × 1080, 1280 × 960, 1280 × 720) 60 Hz: 30 fps (1920 × 1080, 1280 × 960, 1280 × 720) |
| Sub-Stream | 50 Hz: 25 fps (704 × 576, 640 × 480, 352 × 288) 60 Hz: 30 fps (704 × 480, 640 × 480, 352 × 240) |
| Third Stream | 50 Hz: 25 fps (1920 × 1080, 1280 × 960, 1280 × 720, 704 × 576, 640 × 480, 352 × 288) 60 Hz: 30 fps (1920 × 1080, 1280 × 960, 1280 × 720, 704 × 480, 640 × 480, 352 × 240) |

| | |
|-----------------------------|--|
| Video Compression | Main stream: H.265+/H.265/H.264+/H.264 Sub-stream: H.265/H.264/MJPEG Third stream: H.265/H.264/MJPEG |
| H.264 Type | Baseline Profile/Main Profile/High Profile |
| H.265 Type | Main profile |
| Scalable Video Coding (SVC) | H.264 and H.265 encoding |
| Region of Interest (ROI) | 8 fixed regions for each stream |
| Audio | |
| Audio Compression | G.711alaw, G.711ulaw, G.722.1, G.726, MP2L2, PCM |
| Audio Bit Rate | 64 Kbps (G.711)/16 Kbps (G.722.1)/16 Kbps (G.726)/32~192 Kbps (MP2L2) |
| Network | |
| Protocols | IPv4/IPv6, HTTP, HTTPS, 802.1x, Qos, FTP, SMTP, UPnP, SNMP, DNS, DDNS, NTP, RTSP, RTCP, RTP, TCP/IP, DHCP, PPPoE, UDP, IGMP, ICMP, Bonjour, SRTSP |
| API | ISUP, ISAPI, Hikvision SDK, Open Network Video Interface (Profile S, Profile G, Profile T) |
| Simultaneous Live View | Up to 20 channels |
| User/Host | Up to 32 users. 3 levels: Administrator, Operator and User |
| Security | Password protection, complicated password, HTTPS encryption, 802.1X authentication (EAP-TLS, EAP-LEAP, EAP-MD5), watermark, IP address filter, basic and digest authentication for HTTP/HTTPS, RTP/RTSP over HTTPS, control timeout settings, security audit log, TLS 1.3, host authentication (MAC address) |
| Client | HikCentral, iVMS-4200, Hik-Connect |
| Web Browser | IE11, Chrome 57.0+, Firefox 52.0+, Safari 11+ |
| Image | |
| Image Settings | Saturation, brightness, contrast, sharpness, gain, and white balance adjustable by client software or web browser |
| Image Enhancement | BLC, HLC, 3D DNR |
| Wide Dynamic Range (WDR) | 140 dB WDR |
| Image Stabilization | Yes. Built-in gyroscope to improve EIS performance. |
| Regional Exposure | Yes |
| Regional Focus | Yes |
| Privacy Mask | Up to 24 masks, polygon region, mosaic mask, mask color configurable |
| Interface | |
| Ethernet Interface | 1 RJ45 10M/100M self-adaptive Ethernet port; Hi-PoE |
| On-board Storage | Built-in memory card slot, support MicroSD/MicroSDHC/MicroSDXC, up to 256 GB |
| Alarm | 7 inputs, 2 outputs |
| Audio | 1 input (line in), max. input amplitude: 2-2.4 vpp, input impedance: 1 K Ω \pm 10%; 1 output (line out), line level, output impedance: 600 Ω |
| Video Output | 1.0V[p-p]/75 Ω , PAL, NTSC, BNC connector |
| RS-485 | HIKVISION, Pelco-P, Pelco-D, self-adaptive |
| Event | |
| Linkage | Upload to FTP/NAS/memory card, notify surveillance center, send email, trigger recording, and PTZ actions (such as preset, patrol scan, pattern scan) |
| Basic Event | Motion detection, video tampering alarm, alarm input and output |
| Smart Event | Line crossing detection, region entrance detection, parking detection, unattended baggage detection, object removal detection, intrusion detection, region exiting detection, vandal-proof alarm, audio exception detection |

| | |
|---|---|
| Smart Tracking | Manual tracking, auto-tracking |
| Deep Learning Function | |
| Face Capture | Detects up to 30 faces simultaneously. Supports detecting, tracking, capturing, grading, selecting of face in motion, and output the best face picture of the face |
| Perimeter Protection | Line crossing, intrusion, region entrance, region exiting Support alarm triggering by specified target types (human and vehicle) |
| Road Traffic and Vehicle Detection | |
| Road Traffic | Support vehicle detection (license plate number, vehicle model, and vehicle color recognition) |
| General | |
| General Function | Mirror, password protection, watermark, IP address filter |
| Power | 24 VAC (Max. 60 W, including max. 18 W for IR and max. 6 W for heater), Hi-PoE (Max. 50 W, including max. 18 W for IR and max. 6 W for heater) |
| Operating Condition | Temperature: -40°C to 70°C (-40°F to 158°F), Humidity: ≤ 95% |
| Dimension | ∅ 266.6 mm × 410 mm (∅ 10.50" × 16.14") |
| Weight | Approx. 8 kg (17.64 lb.) |
| Language | 33 languages: English, Russian, Estonian, Bulgarian, Hungarian, Greek, German, Italian, Czech, Slovak, French, Polish, Dutch, Portuguese, Spanish, Romanian, Danish, Swedish, Norwegian, Finnish, Croatian, Slovenian, Serbian, Turkish, Korean, Traditional Chinese, Thai, Vietnamese, Japanese, Latvian, Lithuanian, Portuguese (Brazil), Ukrainian |
| Approval | |
| EMC | FCC SDoC (47 CFR Part 15, Subpart B); CE-EMC (EN 55032:2015, EN 61000-3-2:2019, EN 61000-3-3:2013, EN 50130-4:2011+A1:2014); RCM (AS/NZS CISPR 32:2015); ICVoC (ICES-003: Issue 6, 2019); KC (KN 32:2015, KN 35:2015) |
| Safety | UL (UL 62368-1) CB (IEC 60950-1:2005 + Am 1:2009 + Am 2:2013, IEC 62368-1:2014); CE-LVD (EN 62368-1:2014+A11:2017), BIS (IS 13252(Part 1):2010+A1:2013+A2:2015); LOA (SANS IEC60950-1) |
| Environment | CE-RoHS (2011/65/EU); WEEE (2012/19/EU); Reach (Regulation (EC) No 1907/2006) |
| Protection | IP67 (IEC 60529-2013), IK10 (IEC 62262:2002), Lightning Protection, Surge Protection and Voltage Transient Protection, ±6kV Line to Gnd, ±3kV Line to Line, IEC61000-4-5 |

▪ DORI

The DORI (detect, observe, recognize, identify) distance gives the general idea of the camera ability to distinguish persons or objects within its field of view.

It is calculated based on the camera sensor specification and the criteria given by EN 62676-4:2015.

| DORI | Detect | Observe | Recognize | Identify |
|-----------------|---------------------------|-----------------------|--------------------------|----------------------|
| Definition | 25 px/m | 63 px/m | 125 px/m | 250 px/m |
| Distance (Tele) | 2034.5 m (6674.87 ft.) | 807.3 m (2648.62 ft.) | 406.9 m (1334.97 ft.) | 203.4 m (667.32 ft.) |

▪ Typical Application

| Level | Description |
|------------------------|--|
| Top-level protection | Hikvision products at this level are equipped for use in areas where professional anti-corrosion protection is a must. Typical application scenarios include coastlines, docks, chemical plants, and more. |
| Moderate protection | Hikvision products at this level are equipped for use in areas with moderate anti-corrosion demands. Typical application scenarios include coastal areas about 2 kilometers (1.24 miles) away from coastlines, as well as areas affected by acid rain. |
| No specific protection | Hikvision products at this level are equipped for use in areas where no specific anti-corrosion protection is needed. |

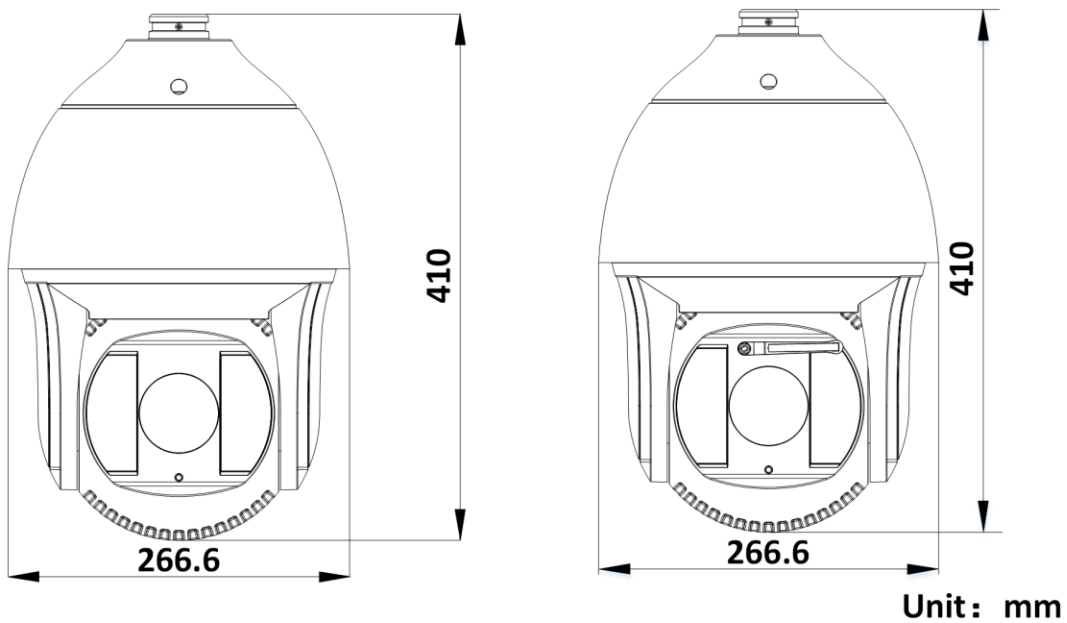
Hikvision products are classified into three levels according to their anti-corrosion performance. Refer to the following description to choose for your using environment.

This model has NO SPECIFIC PROTECTION.

▪ **Available Model**

DS-2DF8225IX-AEL(T5)



▪ **Dimension**



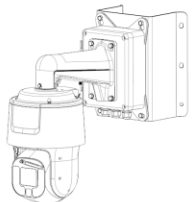
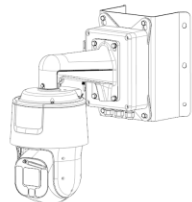
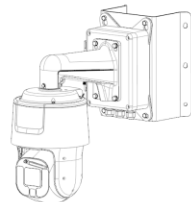
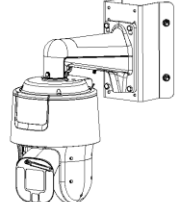

▪ **Accessory**




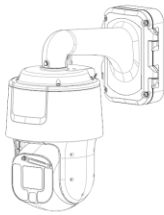
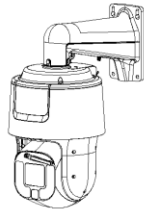
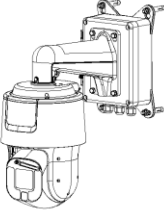

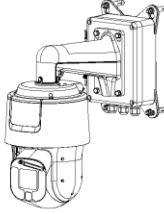

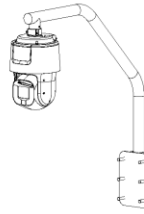
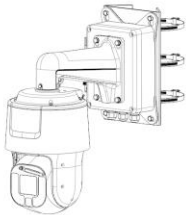
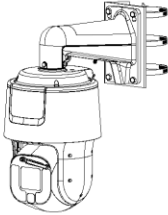
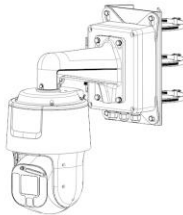
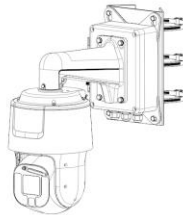
▪ **Optional**

| | | | | |
|--------------|-----------|-----------|-----------|-----------|
| DS-4660ZJ-WC | DS-1667ZJ | DS-1663ZJ | DS-1604ZJ | DS-1673ZJ |
|--------------|-----------|-----------|-----------|-----------|

| | | | | |
|---|---|---|---|---|
|  |  |  |  |  |
| DS-1602ZJ | DS-1674ZJ | DS-1661ZJ | DS-1619ZJ | DS-1604ZJ-box |
|  |  |  |  |  |
| DS-1604ZJ-pole | DS-1684ZJ | DS-1604ZJ-BOX-PO LE | DS-1604ZJ-BOX-CO RNER | DS-1604ZJ-corner |
|  |  |  |  |  |
| DS-1276ZJ | DS-4650ZJ-WC | DS-1660ZJ | DS-1662ZJ | |
|  |  |  |  | |

Installation Methods

| | | | | |
|---|---|---|--|---|
| Corner Mounting DS-4660ZJ-WC+DS-1602ZJ+DS-1674ZJ | Corner Mounting DS-1604ZJ-BOX-CORN ER | Corner Mounting DS-1604ZJ-corner | Corner Mounting DS-1276ZJ+DS-1602ZJ | Pendant Mounting DS-1667ZJ |
|  |  |  |  |  |
| Pendant Mounting DS-1663ZJ | Pendant Mounting DS-1661ZJ | Pendant Mounting DS-1662ZJ | Wall Mounting DS-1604ZJ | Wall Mounting DS-1602ZJ |

| | | | | |
|---|---|---|--|---|
|  |  |  |  |  |
| Wall Mounting DS-1604ZJ-box | Horizontal Pole Mounting DS-1673ZJ+DS-1661ZJ | Junction Box DS-1674ZJ+DS-1602ZJ | Gooseneck Mounting DS-1619ZJ | Gooseneck Mounting DS-1660ZJ |
|  |  |  |  |  |
| Vertical Pole Mounting DS-1604ZJ-pole | Vertical Pole Mounting DS-1684ZJ+DS-1602ZJ | Vertical Pole Mounting DS-1604ZJ-BOX-POLE | Vertical Pole Mounting DS-4650ZJ-WC+DS-1674ZJ+DS-1602ZJ | |
|  |  |  |  | |

See Far, Go Further



www.hikvision.com
support@hikvision.com

