

DS-K1T673TDX**Ultra Series Face Access Terminal**

Face recognition terminal is a kind of access control device. It can be widely applied in multiple scenarios, such as enterprises, stations, dwellings, factories, schools, campus and so on.

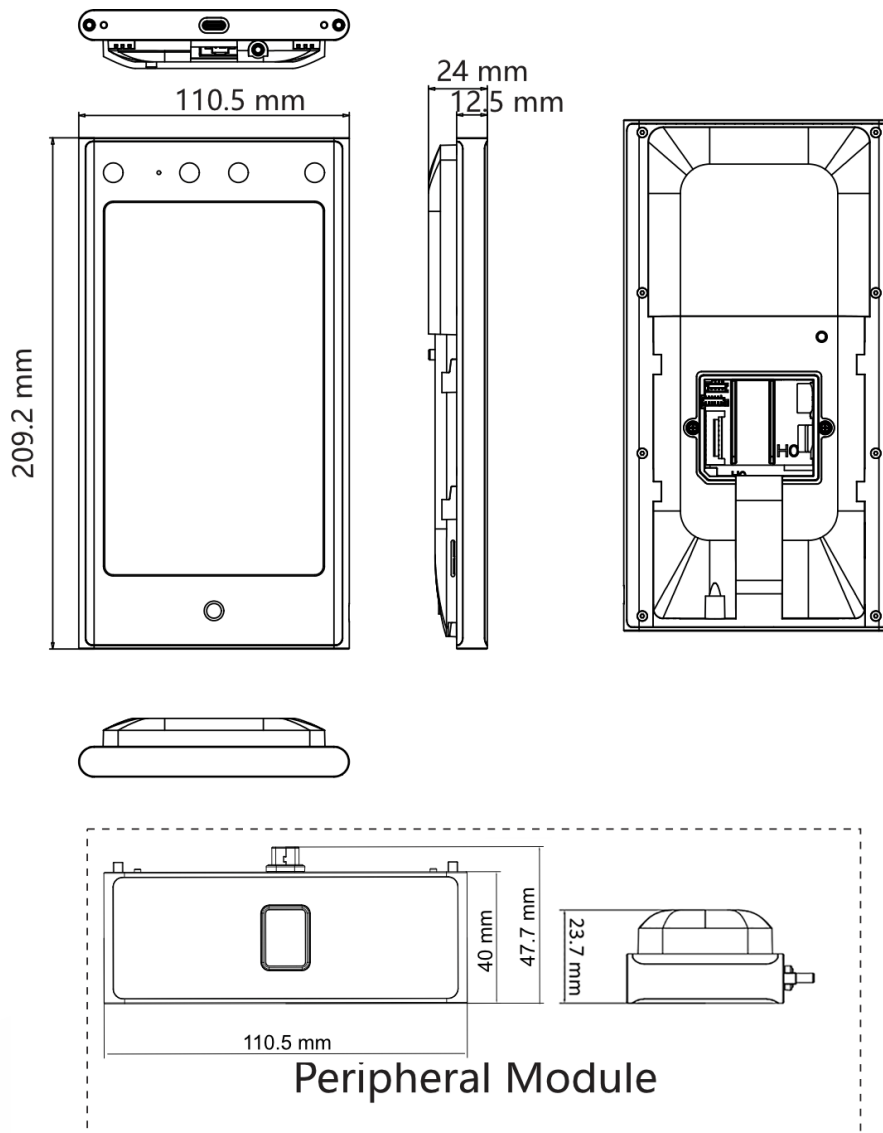
- 7-inch LCD touch screen, 2 Mega pixel wide-angle lens
- Recognition distance: 0.3 to 3 m
- Face recognition duration < 0.2 s/User
- Built-in M1 card, Felica card, and DESfire card reading module (Presents card on the screen to authenticate)
- Face recognition accuracy rate ≥ 99%
- Face mask detection
- 100,000 face capacity, 10,000 fingerprint capacity (With fingerprint module), 500,000 card capacity, and 150,000 event capacity
- Supports ISAPI, ISUP 5.0, TCP/IP (IPv4 and IPv6)
- Supports single person and multiple people (Up to 5 people) recognition
- Supports Push SDK.
- Supports the following SIP servers: ASTERISK, 3CX, ELASTIX, miniSipServer, Brekeke, OpenSIPs, Kamailio.
- Supports face duplicate check, preventing multiple people from using the same face.
- Supports attendance-only function.
- Supports customized Wiegand parameters.

▪ Specification

| System | |
|--------------------------------|-------------------------------------------------------------|
| Operation system | Linux |
| Display | |
| Size | 7-inch |
| Type | Touch screen |
| Video | |
| FOV | HFOV= 75.5°; VFOV= 41.5°; DFOV= 87° |
| Pixel | 2 MP |
| Lens | Dual-lens |
| Video standard | PAL (Default)/NTSC |
| Network | |
| Wired network | Support 10/100/1000 Mbps self-adaptive |
| Interface | |
| Alarm input | 2 |
| Alarm output | 1 |
| USB | 1 (For Module) |
| Audio Output Interface | 1 (3.5 mm) |
| Network interface | 1 |
| RS-485 | 1 RS-485. Supports OSDP protocol version V2.1.7, Baud 19200 |
| Wiegand | 1 |
| Lock output | 1 |
| Exit button | 1 |
| Door contact input | 1 |
| TAMPER | 1 |
| Capacity | |
| Card capacity | 100,000 |
| Face capacity | 100,000 |
| Event capacity | 150,000 |
| Authentication | |
| Face recognition accuracy rate | ≥ 99% |
| Card type | M1 card, DESfire card, Felica card |
| Card reading distance | 0 to 3 cm |
| Card reading duration | < 1 s |
| Face recognition duration | < 0.2 s per person |
| Face recognition distance | 0.3 to 3 m |
| General | |
| Power supply | 12 VDC to 24 VDC/2 A |
| Working temperature | -30 °C to 60 °C (-22 °F to 140 °F) |
| Working humidity | 0 to 90% (no condensing) |
| Protective level | IP65 |
| Dimensions | 110.5 mm × 209.2 mm × 24 mm (4.35" × 8.24" × 0.94") |
| Weight | Gross Weight : 1.06 kg (2.34 lb) |
| | Net Weight : 0.57 kg (1.26 lb) |

| | |
|----------------------|----------------------------------------------------------------------------------------------------------------------------------------------------------------------------------|
| Language | English, Spanish (South America), Arabic, Thai, Indonesian, Russian, Vietnamese, Brazilian Portuguese, Japanese, Korean, Chinese Traditional, French, Turkish, Kazakh and Uzbek. |
| Function | |
| Two-way audio | Support |
| Time synchronization | Support |
| Face anti-spoofing | Support |
| Live view | Support |
| Audio prompt | Support |

▪ **Dimension**



▪ **Accessory**

▪ **Optional**

DS-KAB673-SF1

DS-KAB673-S1

DS-KAB6-ZU3

DS-KAB673-A

DS-K3BK420LX

| | | | | |
|-------------------------------------------------------------------------------------|------------------------------------------------------------------------------------|------------------------------------------------------------------------------------|---------------------------------------------------------------------------------------|-------------------------------------------------------------------------------------|
|  |  |  |  |  |
| DS-KAB673-P | DS-KAB673-EDB | DS-KAB673-FB | DS-KAB673-BQR | DS-KAB673-FBQR |
|  |  |  |  |  |
| DS-KAB673-B | DS-KAB6-W1 | DS-KAB6-ZU1 | DS-KAB6-D1 | |
|  |  |  |  | |

See Far, Go Further



www.hikvision.com
support@hikvision.com

