

DS-2XS2T41G0-ID/4G/C04S05
4MP Solar-powered Security Camera Setup



- Detects human body through passive infrared which is sensitive to body temperature (PIR)
- Standalone with built-in solar panel and battery
- High quality imaging with 4 MP resolution
- Efficient H.265+ compression technology
- Provide real-time security via built-in two-way audio
- Water and dust resistant (IP66)
- Support remote control with Hik-Connect APP

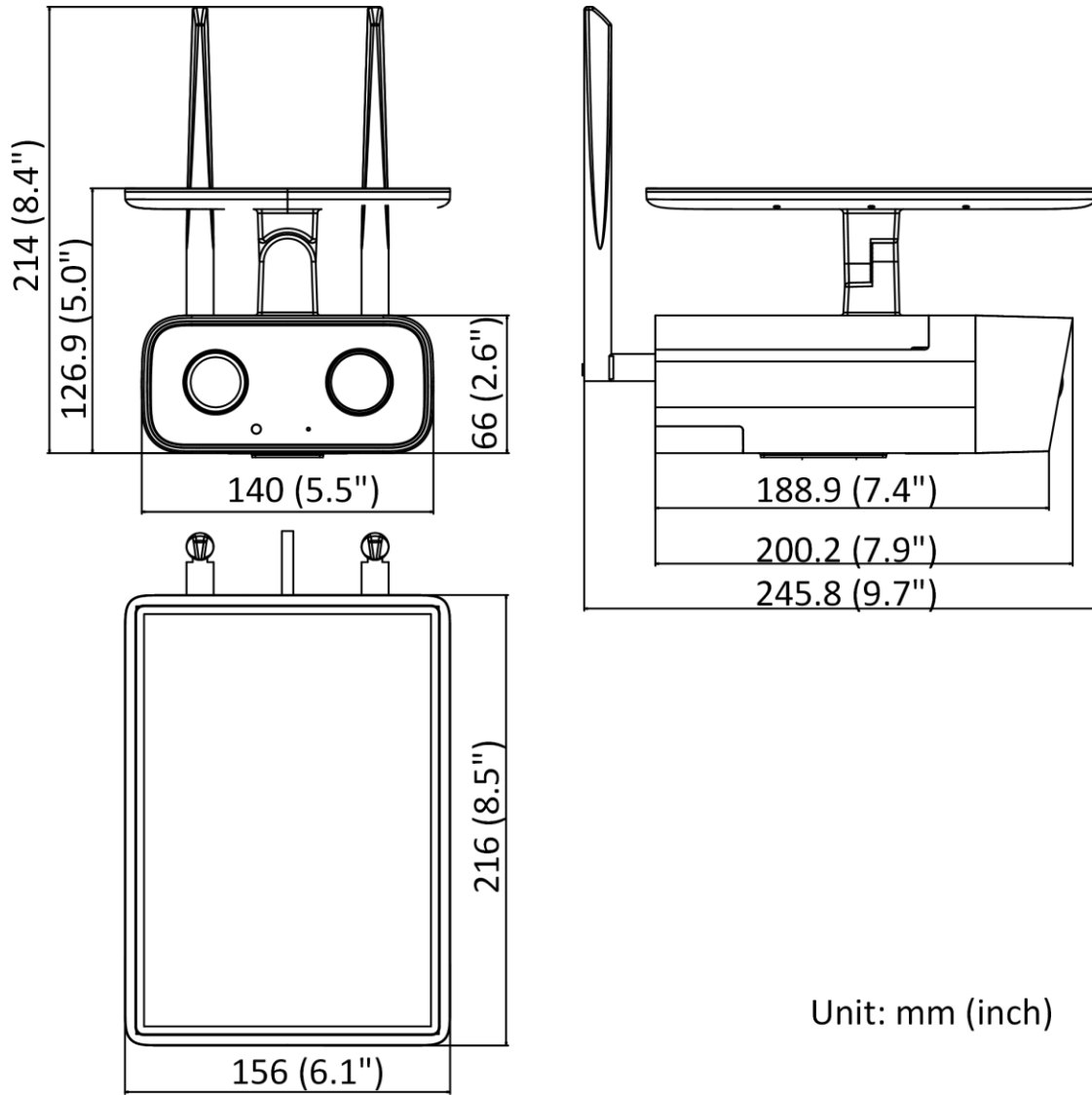
▪ Specification

Model		DS-2XS2T41G0-ID/4G/C04S05
Camera	Image Sensor	1/3" Progressive Scan CMOS
	Min. Illumination	Color: 0.01 Lux @ (F1.6, AGC ON), B/W: 0 Lux with IR
	Max. Resolution	2688 × 1520
	Shutter Time	1/3 s to 1/100,000 s
	Day & Night	IR cut filter
Lens	Lens Type	Fixed focal lens, 4, 6, 8 and 12 mm optional
	Iris Type	Fixed
	Aperture	F1.6
	Focal Length & FOV	4 mm, horizontal FOV 83.7°, vertical FOV 44°, diagonal FOV 99.5° 6 mm, horizontal FOV 51.8°, vertical FOV 27.9°, diagonal FOV 60.5° 8 mm, horizontal FOV 39.4°, vertical FOV 21.8°, diagonal FOV 45.7° 12 mm, horizontal FOV 24.6°, vertical FOV 14°, diagonal FOV 28.1°
	Lens Mount	M12
Illuminator	Supplement Light Range	Performance mode: up to 30 m Proactive mode: up to 10 m
	IR Wavelength	850 nm
	Smart Supplement Light	Yes
Video	Main Stream	50 Hz: 12.5 fps (2688 × 1520, 1920 × 1080, 1280 × 720) 60 Hz: 15 fps (2688 × 1520, 1920 × 1080, 1280 × 720)
	Sub-Stream	50 Hz: 12.5 fps (640 × 480, 640 × 360) 60 Hz: 15 fps (640 × 480, 640 × 360)
	Video Compression	Main stream: H.265+(performance mode)/H.265/H.264+(performance mode)/ H.264 Sub-stream: H.265/H.264/MJPEG
	Video Bit Rate	32 Kbps to 8 Mbps
	H.264 Type	Baseline Profile/Main Profile/High Profile
	H.265 Type	Main Profile
	Bit Rate Control	CBR/VBR
	Region of Interest (ROI)	1 fixed region for main stream
Audio	Audio Sampling Rate	8 kHz/16 kHz/32 kHz/44.1 kHz/48 kHz
	Environment Noise Filtering	Yes
	Audio Compression	G.711/G.722.1/G.726/MP2L2/PCM/AAC/MP3
	Audio Bit Rate	64 Kbps (G.711ulaw/G.711alaw)/16 Kbps (G.722.1)/16 Kbps (G.726)/32 to 192 Kbps (MP2L2)/8 to 320 Kbps (MP3)/16 to 64 Kbps (AAC)
Network	Simultaneous	Up to 6 channels

	Live View	
	API	EZVIZ
	Protocols	TCP/IP, ICMP, HTTP, FTP, DHCP, DNS, DDNS, RTP, RTSP, RTCP, NTP, UPnP, SMTP, IGMP, QoS, IPv6, UDP, Bonjour, SSL/TLS
	User/Host	Up to 32 users. 3 user levels: administrator, operator and user
	Network Storage	Auto network replenishment (ANR)
	Client	iVMS-4200, Hik-Connect, Hik-Central Proactive mode: Hik-Connect
	Web Browser	Plug-in required live view: IE 10+ Plug-in free live view: Chrome 57.0+, Firefox 52.0+ Local service: Chrome 57.0+, Firefox 52.0+
Mobile Communication	Frequency	LTE-TDD: Band 38/40/41; LTE-FDD: Band 1/3/5/7/8/20/28; WCDMA: Band 1/5/8; GSM: band 3/5/8
	Standard	LTE-TDD, LTE-FDD, WCDMA, GSM
Image	Wide Dynamic Range (WDR)	120 dB
	Day/Night Switch	Day, Night, Auto, Schedule
	Image Enhancement	BLC, HLC, 3D DNR, Defog, EIS, Distortion correction
	Image Settings	Rotate mode, saturation, brightness, contrast, sharpness, gain, white balance adjustable by client software or web browser
Transducer	PIR Range	Up to 10 m
Interface	Ethernet Interface	1 RJ45 10 M/100 M self-adaptive Ethernet port
	On-Board Storage	Built-in memory card slot, support microSD/SDHC/SDXC/TF card, up to 256 GB Built-in 8 GB eMMC storage (6 GB available for recording)
	Built-in Microphone	Yes
	Built-in Speaker	Yes
	Reset Key	Yes
Event	Basic Event	PIR, exception
	Linkage	Upload to memory card, notify surveillance center, audible warning, trigger recording, trigger capture, send email
General	Power	Typical power scenarios: 1.85 W (4G working) Standby scenarios: 40 mW Max. power consumption: 4.8 W Power supply: 5 VDC ± 10%, reverse polarity protection Power supply interface: microUSB Extended solar panel: Ø3.5 mm, 5 VDC
	General Function	Anti-flicker, heartbeat, mirror, privacy mask, flash log, password reset via email, pixel counter

	Startup and Operating Conditions	0 °C to 40 °C (32 °F to 104 °F), humidity 95% or less (non-condensing)
	Dimension	245.8 mm × 156 mm × 214 mm (9.7" × 6.1" × 8.4")
	Package Dimension	730 mm × 722 mm × 285 mm (28.7" × 28.4" × 11.2")
	Weight	4G model: approx. 1235 g (2.7 lb.)
	With Package Weight	4G model: approx. 1890 g (4.2 lb.)
	PV Panel	Dimension: 205.1 mm × 145.1 mm × 2.35 mm (8.1" × 5.7" × 0.1") Standard output consumption: 5 W Standard testing condition: AM = 1.5, 25 °C (77 °F), 1000 W/m ² , SMQ + 12%
Battery	Battery Type	Ternary lithium
	Capacity	10 Ah
	Max. Charging Voltage	4.25 V
	Operating Temperature	0 °C to 50 °C (32 °F to 122 °F) Charging Condition: 0 °C to 50 °C (32 °F to 122 °F) (deviation: ± 5 °C) Discharging Condition: -20 °C to 60 °C (-4 °F to 140 °F) (deviation: ± 5 °C)
	Battery Voltage	3.0 V to 4.2 V
	Cycle Lifetime	Low consumption real-time mode: 1 day (at the rate of one-hour alarm and half-hour remote live view per day) Wakeup Mode: 7 days (at the rate of 1.67-hour remote live view per day)
	Battery Life	More than 500 cycles
	Battery Weight	Approx. 185 g (0.4 lb.)
Approval	RF	CE-RED (EN 301489-1 V2.1.1(BT or 2.4G); EN 301489-17 V3.1.1(BT or 2.4G); EN 300328 V2.1.1(BT or 2.4G); EN 62311:2008(BT or 2.4G))
	EMC	FCC (47 CFR Part 15, Subpart B) CE-EMC (EN 55032:2015, EN 61000-3-2:2019, EN 61000-3-3: 2013+A1: 2019, EN 50130-4: 2011+A1: 2014) RCM (AS/NZS CISPR 32: 2015)
	Safety	CE-LVD (EN 62368-1: 2014/A11: 2017)
	Protection	IP66 (IEC 60529-2013)

▪ Dimension



Unit: mm (inch)

▪ **Accessory**

▪ **Included**

DS-1292ZJ

Wall mount



▪ **Optional**

DS-1275ZJ

Vertical pole mount



See Far, Go Further



www.hikvision.com
support@hikvision.com

