

**DS-2DY9240IX-A(T5)****9-inch 2 MP 40X DarkFighter IR Network Positioning System**

- 1/1.8" progressive scan CMOS
- Up to 1920 × 1080 resolution
- Min. illumination: Color: 0.005 Lux @(F1.2, AGC ON) ,B/W: 0.001 Lux @(F1.2, AGC ON), 0 Lux with IR
- Rain-sensing auto wiper
- 40× optical zoom, 16× digital zoom
- 140dB WDR, 3D DNR, HLC, BLC, Smart IR
- 24 VAC
- Support H.265+/H.265 video compression
- Support up to 400 m IR distance

## ▪ Specification

Camera	
Image Sensor	1/1.8 " progressive scan CMOS
Max. Resolution	1920 × 1080
Min. Illumination	0 Lux with IR    B/W: 0.001Lux@(F1.2 , AGC ON)    color: 0.005Lux @ (F1.2 , AGC ON)
Shutter Speed	1/1s ~ 1/30,000s
Day & Night	ICR
Zoom	40 × optical, 16 × digital
Lens	
Focal Length	6.0 mm to 240 mm, 40 × optical
FOV	Horizontal field of view: 59.0 to 1.8° (wide-tele) Vertical field of view: 33.7° to 1.1° (wide-tele), Diagonal field of view: 63.4° to 2.1° (wide-tele)
Focus	semi-auto    manual    auto
Aperture	F1.2
Zoom Speed	approx.5.6s
Illuminator	
Supplement Light Range	up to 400 m IR distance
PTZ	
Movement Range (Pan)	360°
Movement Range (Tilt)	+40° to -90°
Pan Speed	pan speed: configurable from 0.1° to 120°/s; preset speed: 120°/s
Tilt Speed	tilt speed: configurable from 0.1° to 50°/s, preset speed 50°/s
Proportional Pan	yes
Presets	300
Preset Freezing	yes
Patrol Scan	8 patrols
Pattern Scan	4 pattern scans
Park Action	preset, pattern scan, patrol scan, auto scan, tilt scan, random scan, framescan, panorama scan
3D Positioning	yes
PTZ Status Display	yes
Scheduled Task	preset, pattern scan, patrol scan, auto scan, tilt scan, random scan, framescan, panorama scan, dome reboot, dome adjust, aux output
Power-off Memory	yes
Video	
Main Stream	50Hz: 25fps (1920 × 1080, 1280 × 960, 1280 × 720) 60Hz: 30 fps (1920 × 1080, 1280 × 960, 1280 × 720)
Sub-Stream	50Hz: 25fps (704 × 576, 640 × 480, 352 × 288) 60Hz: 30fps (704 × 480, 640 × 480, 352 × 240)
Third Stream	50Hz: 25fps (1920 × 1080, 1280 × 960, 1280 × 720, 704 × 576, 640 × 480, 352 × 288) 60Hz: 30fps (1920 × 1080, 1280 × 960, 1280 × 720, 704 × 480, 640 × 480, 352 × 240)
Video Compression	H.265, H.264, MJPEG
H.264 Type	baseline profile, main profile, high profile
H.265 Type	main profile

Scalable Video Coding (SVC)	yes
Region of Interest (ROI)	8 fixed regions for each stream
<b>Audio</b>	
Audio Compression	G.711alaw, G.711ulaw, G.722.1, G.726, MP2L2, PCM
<b>Network</b>	
Protocols	IPv4/IPv6, HTTP, HTTPS, 802.1X, QoS, FTP, SMTP, UPnP, SNMP, DNS, DDNS, NTP, RTSP, RTCP, RTP, TCP/IP, UDP, IGMP, ICMP, DHCP, PPPoE, Bonjour, SRTP
Simultaneous Live View	Up to 20 channels
API	Open-ended API, ISAPI, Hikvision SDK, Third-party management platform, Hik-Connect, ISUP, Open Network Video Interface
User/Host	Up to 32 users. 3 levels: Administrator, Operator and User
Security	Authenticated username and password, MAC address binding, HTTPS encryption, 802.1X authenticated access, IP address filter
Client	iVMS-4200, iVMS-4500, iVMS-5200, Hik-Connect, HikCentral Pro
Web Browser	IE11, Chrome 57.0+, Firefox 52.0+, Safari 11+
<b>Image</b>	
Wide Dynamic Range (WDR)	140 dB WDR
Image Stabilization	EIS; Built-in gyroscope to improve EIS performance.
Image Enhancement	BLC, HLC, 3D DNR
Privacy Mask	up to 24 masks, polygon region, mosaic mask, mask color configurable
Regional Focus	yes
Regional Exposure	yes
<b>Interface</b>	
Ethernet Interface	1 RJ45 10 M/100 M Ethernet Interface
On-board Storage	Built-in memory card slot, support Micro SD/Micro SDHC/Micro SDXC, up to 256 GB; NAS (NFS, SMB/ CIFS), ANR
Audio	1 audio input, 2.0 to 2.4Vp-p, 1k Ohm±10%, 1 audio output, line level, impedance: 600 Ω
Alarm	7 alarm inputs, 2 alarm outputs
RS-485	Half duplex, HIKVISION, Pelco-P, Pelco-D, self-adaptive
<b>Event</b>	
Basic Event	motion detection, video tampering alarm, alarm input, alarm output, exception
Smart Event	unattended baggage detection, object removal detection, Intrusion Detection, Line Crossing Detection, Region Entrance Detection, Region Exiting Detection, Audio Exception Detection
Linkage	Alarm actions, such as Preset, Patrol Scan, Pattern Scan, Memory Card Video Record, Trigger Recording, Notify Surveillance Center, Upload to FTP/Memory Card/NAS, Send Email, etc.
Smart Tracking	manual tracking, event tracking
<b>Deep Learning Function</b>	
Face Capture	Support detecting up to 30 faces at the same time. Support detecting, tracking, capturing, grading, selecting of face in motion, and output the best face picture of the face.
<b>General</b>	
Power	24 VAC ± 25%, max. 100 W
Dimension	460 mm × 390 mm × 491 mm (18.11" × 15.35" × 19.33")

Weight	Approx. 15 kg (33.07 lb)
Material	Aluminum alloy ADC12
Operating Condition	Temperature: -40°C to 70°C (-40°F to 158°F) , Humidity: ≤ 95%
General Function	mirror, password protection, watermark, IP address filter
Vandal-proof Alarm	yes
Wiper	Yes. Rain-sensing auto control
Language	32 languages: English, Russian, Estonian, Bulgarian, Hungarian, Greek, German, Italian, Czech, Slovak, French, Polish, Dutch, Portuguese, Spanish, Romanian, Danish, Swedish, Norwegian, Finnish, Croatian, Slovenian, Serbian, Turkish, Korean, Traditional Chinese, Thai, Vietnamese, Japanese, Latvian, Lithuanian, Portuguese (Brazil)
<b>Approval</b>	
Protection	IP66 Standard, 6000V Lightning Protection, Surge Protection and Voltage Transient Protection

## ▪ DORI

The DORI (detect, observe, recognize, identify) distance gives the general idea of the camera ability to distinguish persons or objects within its field of view. It is calculated based on the camera sensor specification and the criteria given by EN 62676-4: 2015.

DORI	Detect	Observe	Recognize	Identify
Definition	25 px/m	63 px/m	125 px/m	250 px/m
Distance (Tele)	2979.3 m (9774.6 ft)	1182.3 m (3878.9 ft)	595.9 m (1955.1 ft)	297.9 m (977.4 ft)

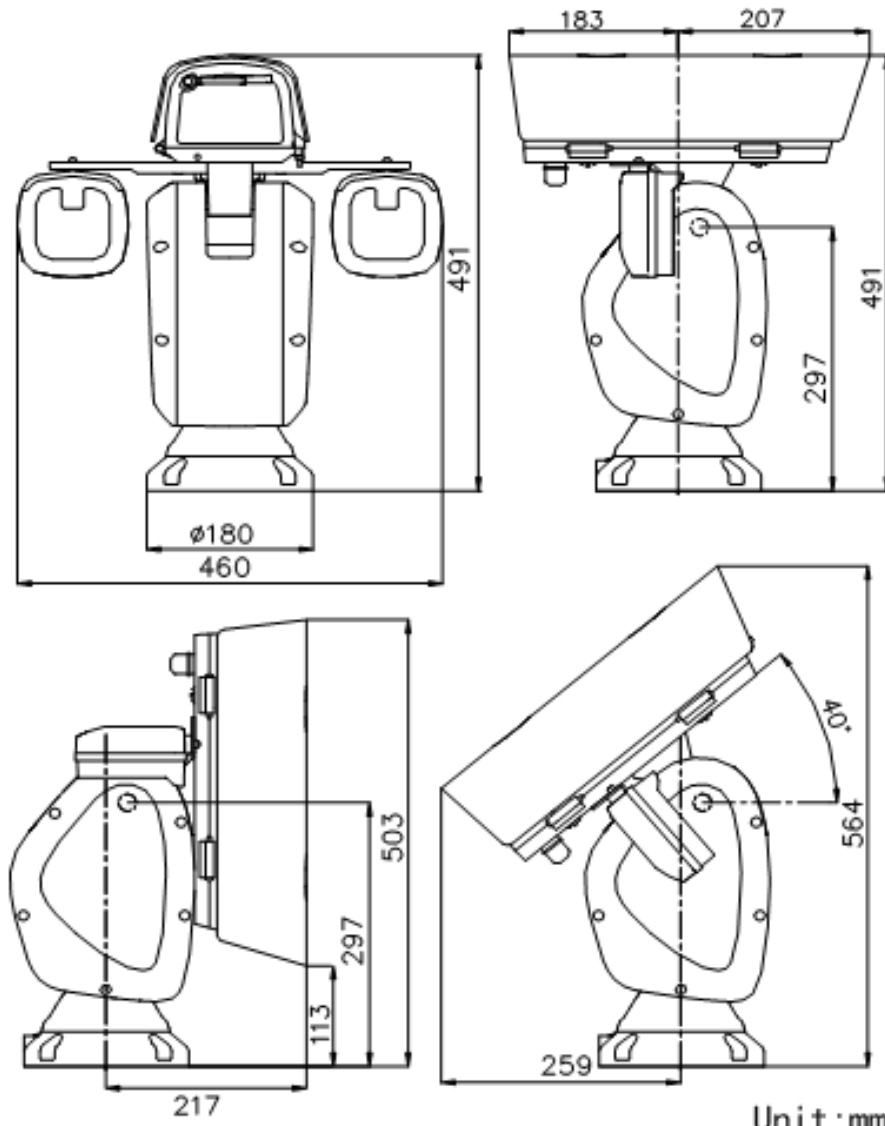
## ▪ Available Model

DS-2DY9240IX-A(T5)

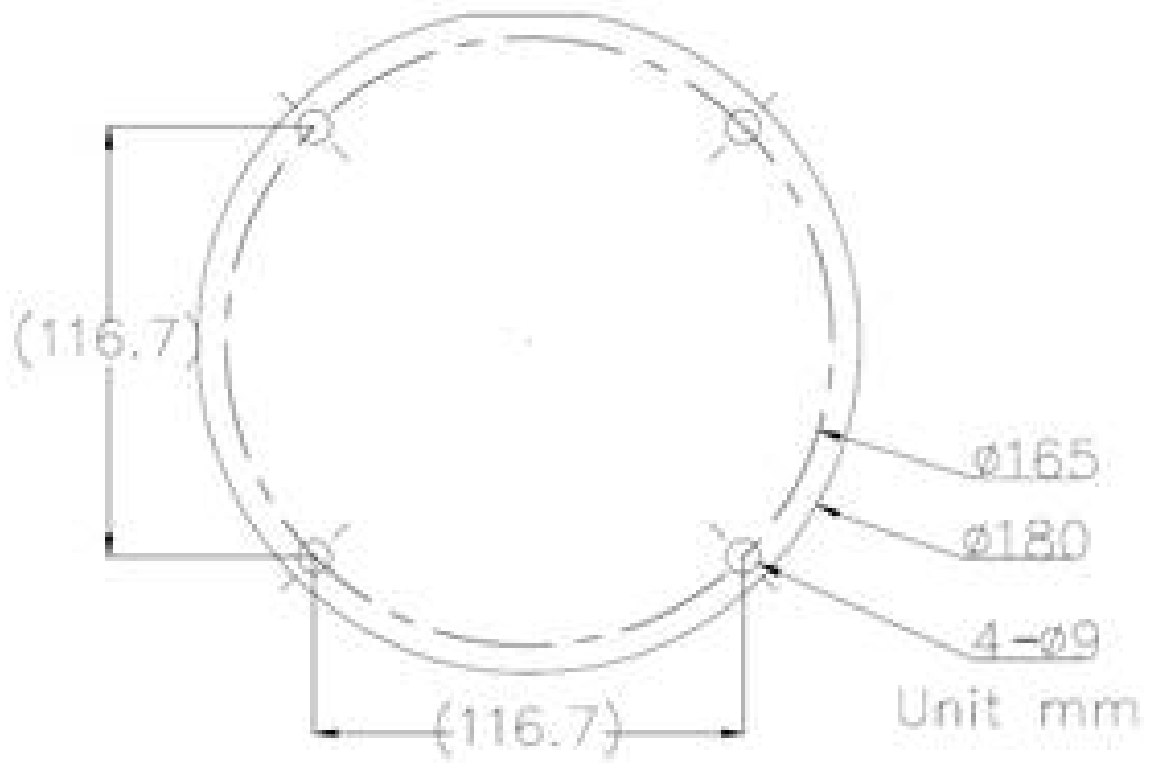
DS-2DY9240IX-A(DELTECH SVK)(T5)

DS-2DY9240IX-A(ISR HVI)(T5)

## ▪ Dimension



Unit:mm



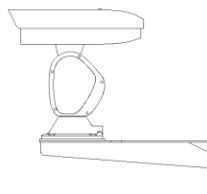
- Accessory
- Optional

DS-1693ZJ



- Installation Methods

Wall Mounting  
DS-1693ZJ



# See Far, Go Further



[www.hikvision.com](http://www.hikvision.com)  
[support@hikvision.com](mailto:support@hikvision.com)

