

DS-2CE72KF3T
3K ColorVu Fixed Turret Camera

- High quality imaging with 3K, 2960 × 1665 resolution
- Excellent low-light performance
- Clear imaging against strong back light due to 130 dB true WDR technology
- 3D DNR technology delivers clean and sharp images
- 2.8 mm and 3.6 mm fixed focal lens
- Up to 40 m white light distance for bright night imaging
- Water and dust resistant (IP67)
- 24/7 color imaging with F1.0 aperture

▪ Specification

Camera	
Image Sensor	1/1.8" 3K CMOS
Signal System	PAL/NTSC
Max. Resolution	2960 (H) × 1665 (V)
Min. Illumination	0.0003 Lux @ (F1.0, AGC ON), 0 Lux with white light
Shutter Time	PAL: 1/25 s to 1/50,000 s; NTSC: 1/30 s to 1/50,000 s
Light Alarm	Solid Light Alarm (White Light)
Angle Adjustment	Pan: 0° to 360°, Tilt: 0° to 75°, Rotation: 0° to 360°
Lens	
Lens Type	2.8 mm and 3.6 mm fixed focal lens
Focal Length & FOV	2.8 mm, horizontal FOV: 112°, vertical FOV: 60°, diagonal FOV: 133° 3.6 mm, horizontal FOV: 95°, vertical FOV: 50°, diagonal FOV: 115°
Lens Mount	M16
Image	
Frame Rate	3K@20fps, 4MP@25fps/30fps, 1080p@25fps/30fps
Wide Dynamic Range (WDR)	≥130 dB
White Light	Auto/Off
Image Parameters Switch	STD/HIGH-SAT/HIGHLIGHT
AGC	Yes
Day/Night Mode	Color
White Balance	Auto/Outdoor/Global/Manual
Image Enhancement	WDR, BLC, HLC, Global, HLS
Privacy Mask	4 programmable privacy masks
Noise Reduction	3D DNR/2D DNR
Image Settings	Brightness, Contrast, Mirror, Smart Light, Anti-Banding
Interface	
Video Output	1 HD analog output
Event	
Motion Detection	4 programmable motion areas
General	
Language	English
Operating Condition	-40°C to 50°C (-40°F to 122°F), Humidity: 90% or less (non-condensing)
Power Supply	12 VDC ± 25% *You are recommended to use one power adapter for one camera, and use 2-pin power supply for long-distance power supply.
Consumption	Max. 5.3 W
Material	Main body: Metal, Enclosure: Plastic
White Light Range	Up to 40 m
Communication	HIKVISION-C
Dimension	Φ 109.98 mm × 98.27 mm (Φ 4.33" × 3.87")
Weight	Approx. 350 g (0.77 lb.)
Approval	
Protection	IP67

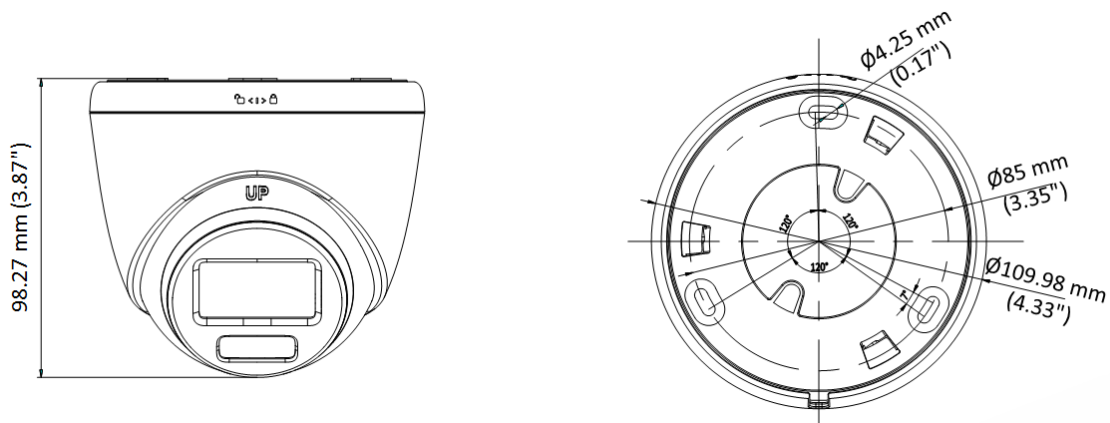
▪ Typical Application

Hikvision products are classified into three levels according to their anti-corrosion performance. Refer to the following description to choose for your using environment.

This model has NO SPECIFIC PROTECTION.

Level	Description
Top-level protection	Hikvision products at this level are equipped for use in areas where professional anti-corrosion protection is a must. Typical application scenarios include coastlines, docks, chemical plants, and more.
Moderate protection	Hikvision products at this level are equipped for use in areas with moderate anti-corrosion demands. Typical application scenarios include coastal areas about 2 kilometers (1.24 miles) away from coastlines, as well as areas affected by acid rain.
No specific protection	Hikvision products at this level are equipped for use in areas where no specific anti-corrosion protection is needed.

▪ Dimension



▪ Accessory

▪ Optional

DS-1276ZJ-SUS	DS-1281ZJ-S	DS-1272ZJ-110-TRS	DS-1275ZJ-SUS

See Far, Go Further



www.hikvision.com
support@hikvision.com

