

**DS-2CE12UF3T-E**  
**4K ColorVu PoC Fixed Mini Bullet Camera**



- High quality imaging with 8 MP, 3840 × 2160 resolution
- 24/7 color imaging
- Clear imaging against strong back light due to 130 dB true WDR technology
- 3D DNR technology delivers clean and sharp images
- 2.8 mm, 3.6 mm, 6mm fixed focal lens
- Up to 40 m white light distance for bright night imaging
- Water and dust resistant (IP67)

## ▪ Specification

Camera	
Image Sensor	8 MP CMOS
Signal System	PAL/NTSC
Max. Resolution	3840 (H) × 2160 (V)
Min. Illumination	0.0005 Lux@(F1.0, AGC ON), 0 Lux with white light
Shutter Time	PAL: 1/12.5 s to 1/50,000 s;NTSC: 1/15 s to 1/50,000 s
Day & Night	24/7 Color Imaging
Angle Adjustment	Pan: 0° to 360°, Tilt: 0° to 180°, Rotation: 0° to 360°
Lens	
Lens Type	2.8 mm, 3.6 mm, 6mm fixed focal lens
Focal Length & FOV	2.8 mm, horizontal FOV: 110°, vertical FOV: 59°, diagonal FOV: 131° 3.6 mm, horizontal FOV: 93°, vertical FOV: 48°, diagonal FOV: 113° 6 mm, horizontal FOV: 57°, vertical FOV: 30°, diagonal FOV: 67°
Lens Mount	M16
Illuminator	
Supplement Light Type	White Light
Supplement Light Range	Up to 40 m
Image	
Frame Rate	TVI: 8 MP @ 12.5 fps/15 fps, 3K @ 20 fps, 1080P @ 25 fps/30 fps
Wide Dynamic Range (WDR)	≥130 dB
Image Parameters Switch	STD/HIGH-SAT/HIGHLIGHT
Day/Night Mode	Color
White Balance	Auto/Manual
Image Enhancement	WDR, BLC, HLC, Global, HLS
Privacy Mask	4 programmable privacy masks
Noise Reduction	3D DNR/2D DNR
Image Settings	Brightness, Contrast, Mirror, Sharpness, Anti-Banding, Smart Light, AGC
Interface	
Video Output	1 HD analog output
Alarm	Solid Light Alarm (White Light)
Event	
Motion Detection	4 programmable motion areas
General	
Language	English
Operating Condition	-40°C to 60°C (-40°F to 140°F), Humidity: 90% or less (non-condensing)
Material	Metal
Communication	HIKVISION-C
Dimension	194.2 mm × 78 mm × 74.5 mm (7.65" × 3.07" × 2.93")
Weight	Approx. 566 g (1.25 lb.)
Power	12 VDC ± 25%/PoC.at, Max. 5.1 W *You are recommended to use one power adapter for one camera, and use 2-pin power supply for long-distance power supply.
Approval	
Protection	IP67

**▪ Available Model**

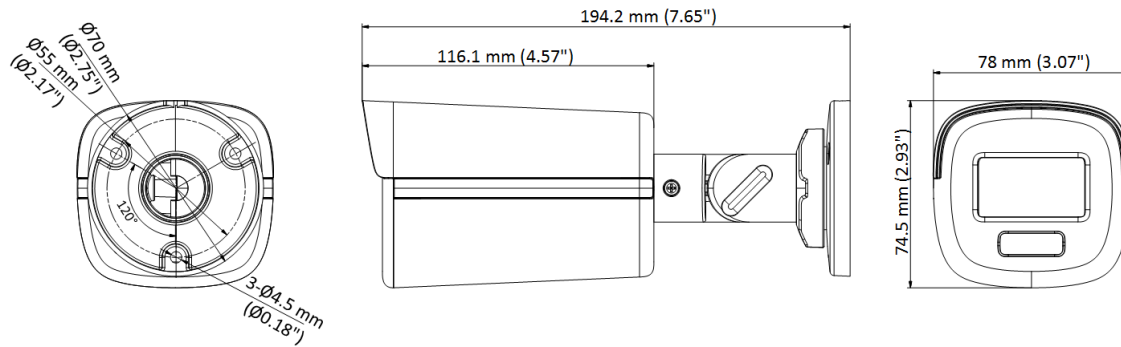
DS-2CE12UF3T-E(2.8mm)

DS-2CE12UF3T-E(3.6mm)

DS-2CE12UF3T-E(6mm)

DS-2CE12UF3T-E(2.8mm)(HIK USA)

DS-2CE12UF3T-E(3.6mm)(HIK USA)

**▪ Dimension****▪ Accessory****▪ Optional****DS-1280ZJ-XS**

# See Far, Go Further



[www.hikvision.com](http://www.hikvision.com)  
[support@hikvision.com](mailto:support@hikvision.com)

