

## HWI-B420H 2 MP Fixed Bullet Network Camera



- High quality imaging with 2 MP resolution
- Clear imaging against strong back light due to DWDR technology
- Efficient H.265+ compression technology
- Water and dust resistant (IP67)
- Easy installation with Power over Ethernet (PoE) technology
- 3D DNR technology delivers clean and sharp images

## ▪ Specification

Camera	
Image Sensor	1/2.7" Progressive Scan CMOS
Max. Resolution	1920 × 1080
Min. Illumination	Color: 0.01 Lux @(F2.0, AGC ON), B/W: 0 Lux with IR
Shutter Speed	1/3 s to 1/100,000 s
Day & Night	IR cut filter
Angle Adjustment	Pan: 0° to 360°, tilt: 0° to 180°, rotate: 0° to 360°
Lens	
Focal Length & FOV	4 mm, horizontal FOV 90.2°, vertical FOV 48.6°, diagonal FOV 107.6° 6 mm, horizontal FOV 54.6°, vertical FOV 30.7°, diagonal FOV 62.7°
Lens Mount	M12
Aperture	4 mm, F2.0 6 mm, F1.6
DORI	
DORI	4 mm, D: 51.1 m, O: 20.3 m, R: 10.2 m, I: 5.1 m 6 mm, D: 85.3 m, O: 33.9 m, R: 17.1 m, I: 8.5 m
Illuminator	
Smart Supplement Light	Yes
IR Wavelength	850 nm
IR Range	Up to 50 m
Video	
Main Stream	50 Hz: 25 fps (1920 × 1080, 1280 × 720) 60 Hz: 30 fps (1920 × 1080, 1280 × 720)
Sub-Stream	50 Hz: 25 fps (640 × 480, 640 × 360) 60 Hz: 30 fps (640 × 480, 640 × 360)
Video Compression	Main stream: H.265/H.264/H.265+/H.264+ Sub-stream: H.265/H.264/MJPEG
Video Bit Rate	32 Kbps to 8 Mbps
H.264 Type	Baseline Profile/Main Profile/High Profile
H.265 Type	Main Profile
Region of Interest (ROI)	1 fixed region for main stream
Network	
Protocols	TCP/IP, ICMP, HTTP, HTTPS, FTP, DHCP, DNS, DDNS, RTP, RTSP, RTCP, NTP, UPnP, SMTP, IGMP, QoS, IPv6, Bonjour, IPv4, UDP, SSL/TLS
Simultaneous Live View	Up to 6 channels
API	Open Network Video Interface, ISAPI
User/Host	Up to 32 users. 3 levels: administrator, operator and user
Client	iVMS-4200, Hik-Connect
Web Browser	Plug-in required live view: IE 10+ Plug-in free live view: Chrome 57.0+, Firefox 52.0+ Local service: Chrome 57.0+, Firefox 52.0+
Image	
Image Settings	Saturation, brightness, contrast, sharpness, AGC, white balance adjustable by client software or web browser.
Day/Night Switch	Day, Night, Auto, Schedule

Wide Dynamic Range (WDR)	Digital WDR
Image Enhancement	BLC, 3D DNR
<b>Interface</b>	
Ethernet Interface	1 RJ45 10 M/100 M self-adaptive Ethernet port
<b>Event</b>	
Basic Event	Motion detection, video tampering alarm, exception
<b>General</b>	
Power	12 VDC $\pm$ 25%, 0.4 A, max. 5 W, $\varnothing$ 5.5 mm coaxial power plug PoE: (802.3af, Class 3, 36 V to 57 V), 0.15 A to 0.2 A, max. 6.5 W
Linkage Method	Upload to FTP, notify surveillance center, send email, trigger capture
Camera Material	Front cover: metal, body: plastic, bracket: metal
Camera Dimension	83.7 mm $\times$ 80.7 mm $\times$ 206.6 mm (3.3" $\times$ 3.2" $\times$ 8.1")
Package Dimension	260 mm $\times$ 125 mm $\times$ 125 mm (10.2" $\times$ 4.9" $\times$ 4.9")
Camera Weight	Approx. 420 g (0.9 lb.)
With Package Weight	Approx. 668 g (1.5 lb.)
Storage Conditions	-30 °C to 60 °C (-22 °F to 140 °F). Humidity: 95% or less (non-condensing)
Startup and Operating Conditions	-30 °C to 60 °C (-22 °F to 140 °F). Humidity: 95% or less (non-condensing)
Web Client Language	English, Ukrainian
General Function	Anti-flicker, heartbeat, mirror, password protection, privacy mask, watermark, IP address filter
<b>Approval</b>	
EMC	CE-EMC (EN 55032:2015, EN 61000-3-2:2019, EN 61000-3-3:2013+A1:2019, EN 50130-4:2011+A1:2014)
Safety	CE-LVD (EN 62368-1:2014/A11:2017)
Environment	CE-RoHS (2011/65/EU); WEEE (2012/19/EU); Reach (Regulation (EC) No 1907/2006)
Protection	IP67 (IEC 60529-2013)

### ▪ Available Model

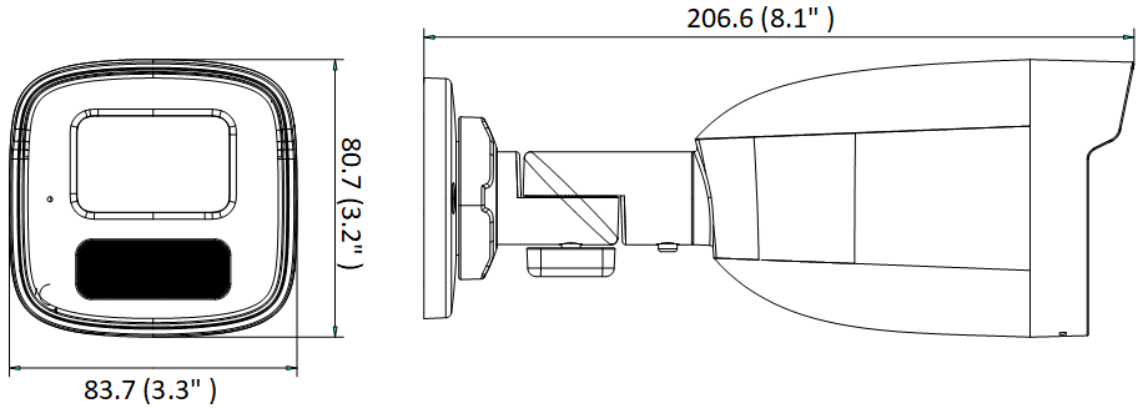
HWI-B420H(4mm)(C)

HWI-B420H(6mm)(C)

HWI-B420H(4mm)

HWI-B420H(6mm)

### ▪ Dimension



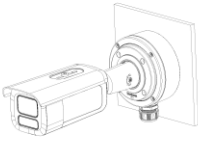
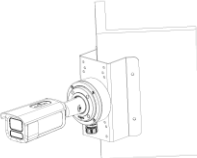
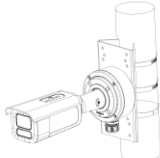
Unit: mm (inch)

▪ **Accessory**

▪ **Optional**

DS-1280ZJ-XS	DS-1276ZJ-SUS	DS-1275ZJ-SUS
		

▪ **Installation Methods**

Junction Box DS-1280ZJ-XS	Corner Mounting DS-1276ZJ-SUS+DS-1280ZJ-XS	Vertical Pole Mounting DS-1275ZJ-SUS+DS-1280ZJ-XS
		

# See Far, Go Further



[www.hikvision.com](http://www.hikvision.com)  
[support@hikvision.com](mailto:support@hikvision.com)

