

**DS-1712ZJ**  
**Pendant Mount**

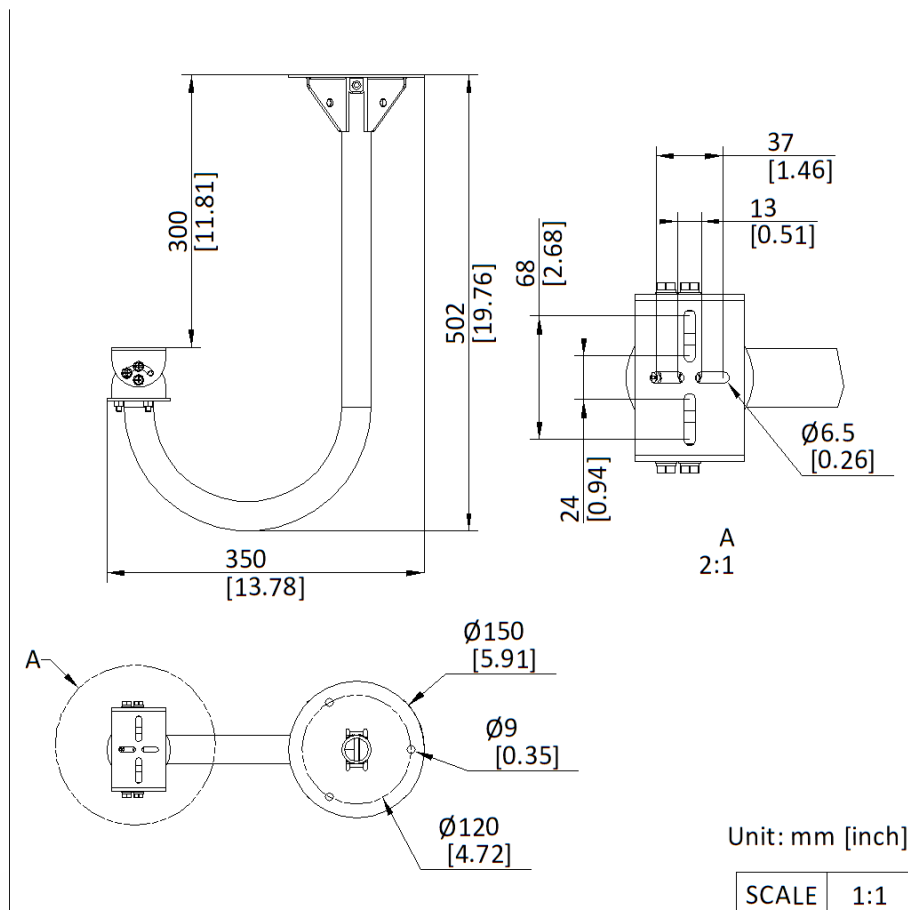


- Pendant Mount
- SUS304
- Unpainted Stainless Steel

## ▪ Specification

Parameters	
Description	Pendant Mount
Appearance	Natural Stainless Steel Color
Material	SUS304
Dimension	Φ 150 mm × 345 mm × 502 mm (Φ 5.91" × 13.58" × 20.47")
Weight	Approx. 2454 g (5.41 lb.)

## ▪ Dimension



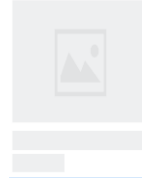
## ▪ Accessory



DS-2XE6222F-IS/316L(D)



DS-2XE6646G0-LIZHRSU(316L)



DS-2XE6242F-IS



DS-2XE



DS-2XE6A86G0-D(A)LIZHRS(316L)



DS-2XE6686G0-LIZHRSU(316L)



DS-2XE6086G0-LIS(316L)



DS-2XE6046G0-LIS(316L)



iDS-2CD8V4



DS-2XE6222F-IS



DS-2XE6046G0-LS(316L)(M)



DS-2XE6445G0-IZS/304

# See Far, Go Further



[www.hikvision.com](http://www.hikvision.com)  
[support@hikvision.com](mailto:support@hikvision.com)

