

DS-2CD1053G0-I(UF) 5 MP Fixed Bullet Network Camera



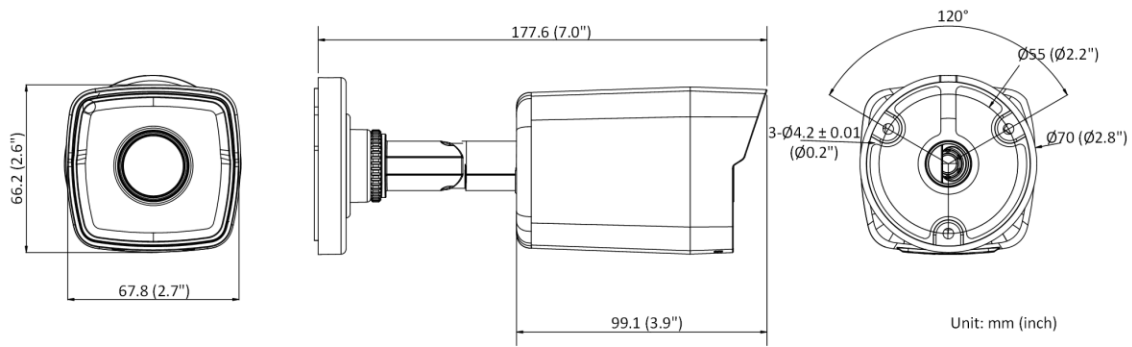
- High quality imaging with 5 MP resolution
- Efficient H.265+ compression technology
- Clear imaging even with strong back lighting due to 120 dB WDR
- Water and dust resistant (IP67)
- EXIR 2.0: advanced infrared technology with long IR range
- -UF: Built-in microphone for real-time audio security

▪ Specification

Camera	
Image Sensor	1/2.7" Progressive Scan CMOS
Max. Resolution	2560 × 1920
Min. Illumination	Color: 0.01 Lux @ (F2.0, AGC ON), B/W: 0 Lux with IR
Shutter Speed	1/3 s to 1/100,000 s
Day & Night	IR cut filter
Angle Adjustment	Pan: 0° to 360°, tilt: 0° to 180°, rotate: 0° to 360°
Lens	
Lens Type	Fixed focal lens, 2.8 and 4 mm optional
Focal Length & FOV	2.8 mm, horizontal FOV 98.0°, vertical FOV 71.7°, diagonal FOV 127.0° 4 mm, horizontal FOV 75.3°, vertical FOV 55.5°, diagonal FOV 98.2°
Lens Mount	M12
Iris Type	Fixed
Aperture	F2.0
Illuminator	
Supplement Light Type	IR
Supplement Light Range	Up to 30 m
IR Wavelength	850 nm
Video	
Main Stream	50 Hz: 20 fps (2560 × 1920) 25 fps (2560 × 1440, 1920 × 1080, 1280 × 720) 60 Hz: 20 fps (2560 × 1920) 30 fps (2560 × 1440, 1920 × 1080, 1280 × 720)
Sub-Stream	50 Hz: 25 fps (1280 × 720, 640 × 480, 640 × 360) 60 Hz: 30 fps (1280 × 720, 640 × 480, 640 × 360)
Video Compression	Main stream: H.265+/H.265/H.264+/H.264 Sub-stream: H.265/H.264/MJPEG
Video Bit Rate	32 Kbps to 16 Mbps
H.264 Type	Baseline Profile/Main Profile/High Profile
H.265 Type	Main profile
Region of Interest (ROI)	1 fixed region for main stream
Audio	
Audio Compression	-UF: G.711ulaw/G.711alaw/G.722.1/G.726/MP2L2/PCM/AAC
Audio Bit Rate	-UF: 64 Kbps (G.711)/16 Kbps (G.722.1)/16 Kbps (G.726)/32 to 160 Kbps (MP2L2)/16 to 64 Kbps (AAC)
Audio Sampling Rate	-UF: 8 kHz/16 kHz
Environment Noise Filtering	-UF: Yes
Network	
Protocols	TCP/IP, ICMP, HTTP, HTTPS, FTP, DHCP, DNS, DDNS, RTP, RTSP, RTCP, NTP, UPnP™, SMTP, IGMP, QoS, IPv6, Bonjour, IPv4, UDP, SSL/TLS
Simultaneous Live View	Up to 6 channels
API	Open Network Video Interface, ISAPI
User/Host	Up to 32 users. 3 levels: administrator, operator and user 3 user levels: administrator, operator, and user
Client	iVMS-4200, Hik-Connect




Web Browser	<p>Plug-in required live view: IE 10+</p> <p>Plug-in free live view: Chrome 57.0+, Firefox 52.0+</p> <p>Local service: Chrome 57.0+, Firefox 52.0+</p>
Image	
Image Settings	Saturation, brightness, contrast, sharpness, AGC, white balance adjustable by client software or web browser
Day/Night Switch	Auto, Schedule, Day, Night
Wide Dynamic Range (WDR)	120 dB
Image Enhancement	BLC, 3D DNR
Interface	
Ethernet Interface	1 RJ45 10 M/100 M self-adaptive Ethernet port
On-Board Storage	-UF: Built-in memory card slot, support microSD card, up to 256 GB
Built-in Microphone	-UF: Yes
Reset Key	-UF: Yes
Event	
Basic Event	Motion detection, video tampering, exception
Linkage	<p>Upload to FTP, notify surveillance center, send email</p> <p>-UF also supports: upload to memory card, trigger recording, trigger capture</p>
General	
Power	<p>12 VDC \pm 25%, 0.4 A, max. 5 W, \varnothing5.5 mm coaxial power plug</p> <p>PoE: 802.3af, Class 3, 36 V to 57 V, 0.2 A to 0.15 A, max. 6.5 W</p>
Dimension	177.6 mm \times 67.8 mm \times 66.2 mm (7" \times 2.7" \times 2.6")
Package Dimension	216 mm \times 121 mm \times 118 mm (8.5" \times 4.8" \times 4.6")
Weight	Approx. 270 g (0.6 lb.)
With Package Weight	Approx. 481 g (1.1 lb.)
Storage Conditions	-30 $^{\circ}$ C to 60 $^{\circ}$ C (-22 $^{\circ}$ F to 140 $^{\circ}$ F). Humidity 95% or less (non-condensing)
Startup and Operating Conditions	-30 $^{\circ}$ C to 60 $^{\circ}$ C (-22 $^{\circ}$ F to 140 $^{\circ}$ F). Humidity 95% or less (non-condensing)
Language	English, Ukrainian
General Function	Anti-flicker, heartbeat, mirror, password protection, privacy mask, watermark, IP address filter
Approval	
EMC	<p>FCC SDoC: 47 CFR Part 15, Subpart B;</p> <p>CE-EMC: EN 55032: 2015, EN 61000-3-2:2019, EN 61000-3-3:2013+A1:2019, EN 50130-4:2011+A1: 2014;</p> <p>RCM: AS/NZS CISPR 32: 2015;</p> <p>IC VoC: ICES-003: Issue 7;</p> <p>KC: KN 32: 2015, KN 35: 2015</p>
Safety	<p>UL: UL 62368-1;</p> <p>CB: IEC 62368-1:2014+A11;</p> <p>CE-LVD: EN 62368-1:2014/A11:2017;</p> <p>BIS: IS 13252(Part 1):2010/ IEC 60950-1:2005</p>
Environment	<p>CE-RoHS: 2011/65/EU;</p> <p>WEEE: 2012/19/EU;</p> <p>Reach: Regulation (EC) No 1907/2006</p>
Protection	IP67: IEC 60529-2013

▪ **Dimension**

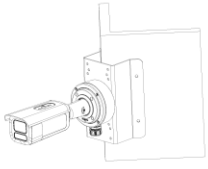
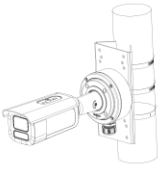
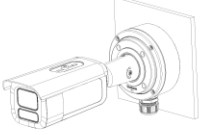


▪ **Accessory**

▪ **Optional**

DS-1276ZJ-SUS	DS-1275ZJ-SUS	DS-1280ZJ-XS
		

▪ **Installation Methods**

Corner Mounting DS-1276ZJ-SUS+DS-1280ZJ-XS	Vertical Pole Mounting DS-1275ZJ-SUS+DS-1280ZJ-XS	Junction Box DS-1280ZJ-XS
		

See Far, Go Further



www.hikvision.com
support@hikvision.com

